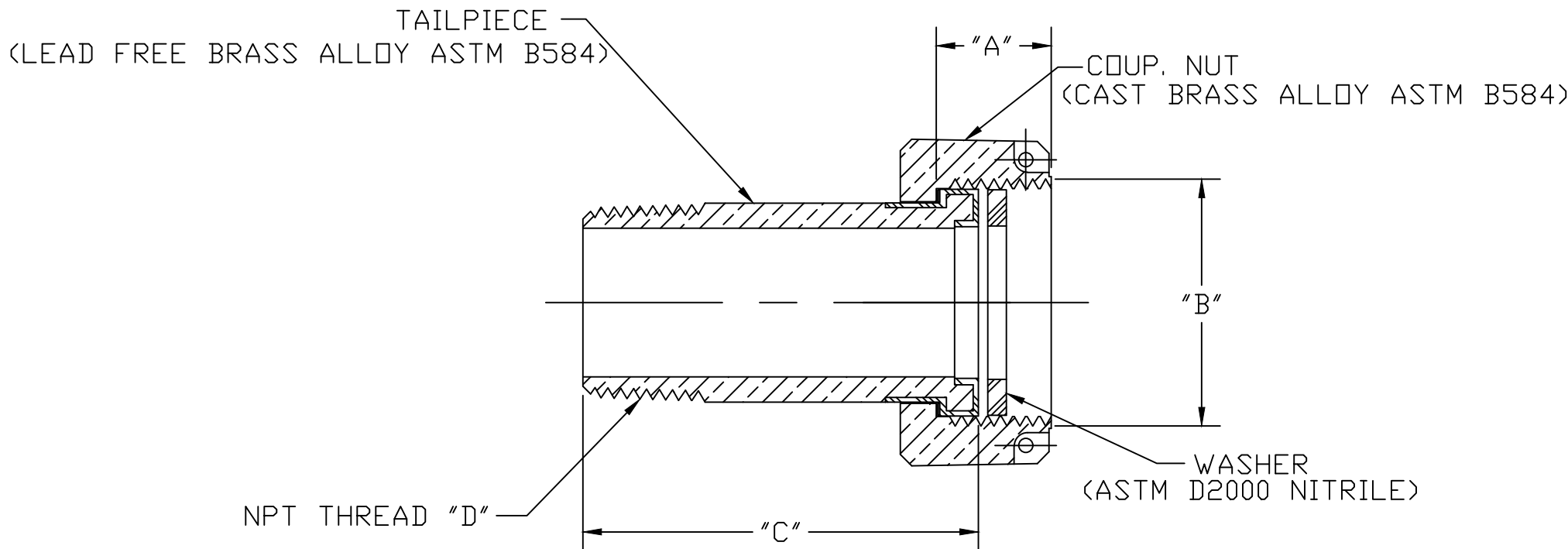


SIZE	CATALOG No.	DIMENSION "A"	DIMENSION "B"	DIMENSION "C"	DIMENSION "D"
5/8"x3/4" or 3/4"	H-10871N	.710	1.3156-11-1/2 NPF THREAD	2.547	3/4-14 NPT THREAD
	H-10871-99000N			2.047	
	H-10871-99002N			2.172	
1"	H-10871N	.773	1.6536-11-1/2 NPF THREAD	2.656	1-11-1/2 NPT THREAD
	H-10871-99001N			1.656	
	H-10871-99002N			2.156	



MEETS ALL REQUIREMENTS OF AWWA C800  
 ALL WETTED PARTS ARE LEAD FREE BRASS ALLOY C89833/C87850  
 ALL NON WETTED PARTS ARE BRASS ALLOY C83600/C87850

DWG NUMBER  
H10871N

TITLE TO AND OWNERSHIP OF THIS ENGINEERING DATA REMAINS IN Mueller Co. NO USE IS TO BE MADE OF THIS DATA EXCEPT AS SPECIFICALLY AUTHORIZED BY Mueller Co. ASSENT ON THE PART OF THE RECIPIENT TO THESE CONDITIONS IS PRESUMED

DRFTR	AD	03/15/23	<b>MUELLER</b>	
CHKR				
ENGR			UNLESS OTHERWISE NOTED	THIRD ANGLE PROJECTION
MGR				SURFACE PREPARATION: BREAK CORNER(S) ----- .000 SURFACE FINISH -- XX RMS
	BY	DATE	TOLERANCE(S): LINEAR ----- ± .000 ANGULAR ----- ± 0°00'	SCALE FULL
STK No:				
MAT'L:				
DESCR.			WATER METER COUPLING	
			DWG NUMBER H10871N	