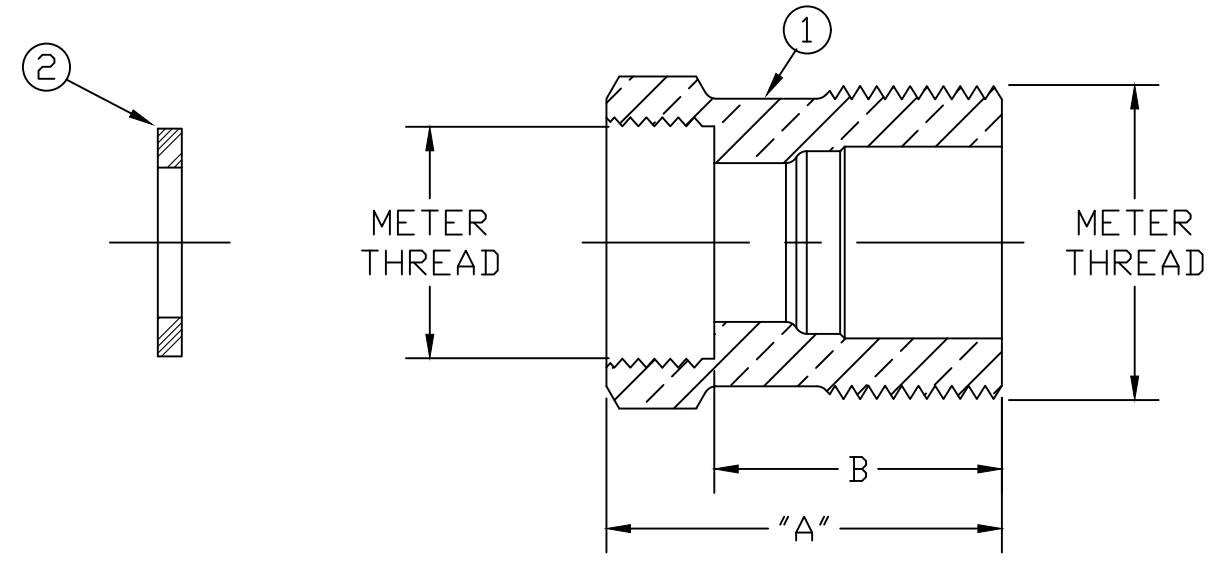
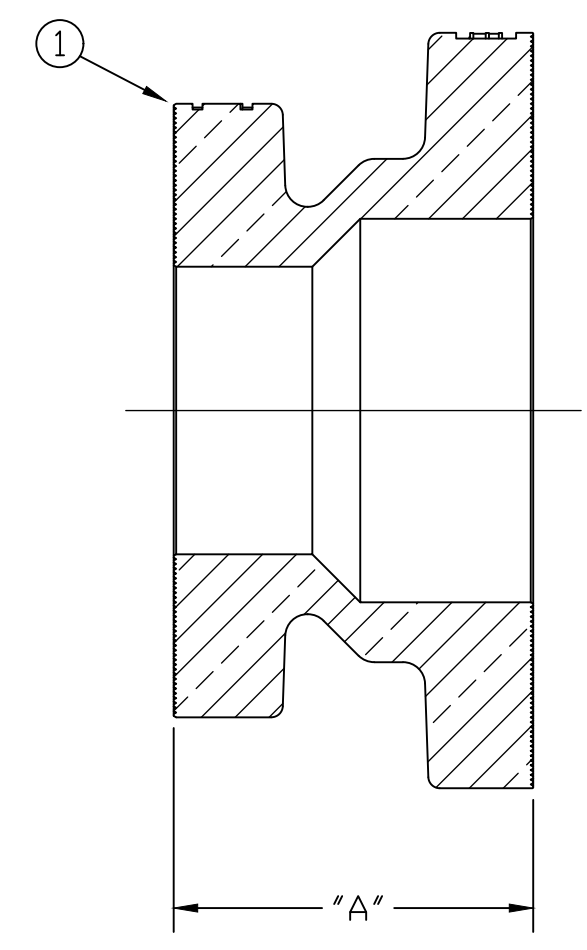


No.	DESCRIPTION	MATERIAL
1	HEX BUSHING	LEAD FREE BRASS ALLOY ASTM B584
2	RUBBER GASKET	EPDM D2000

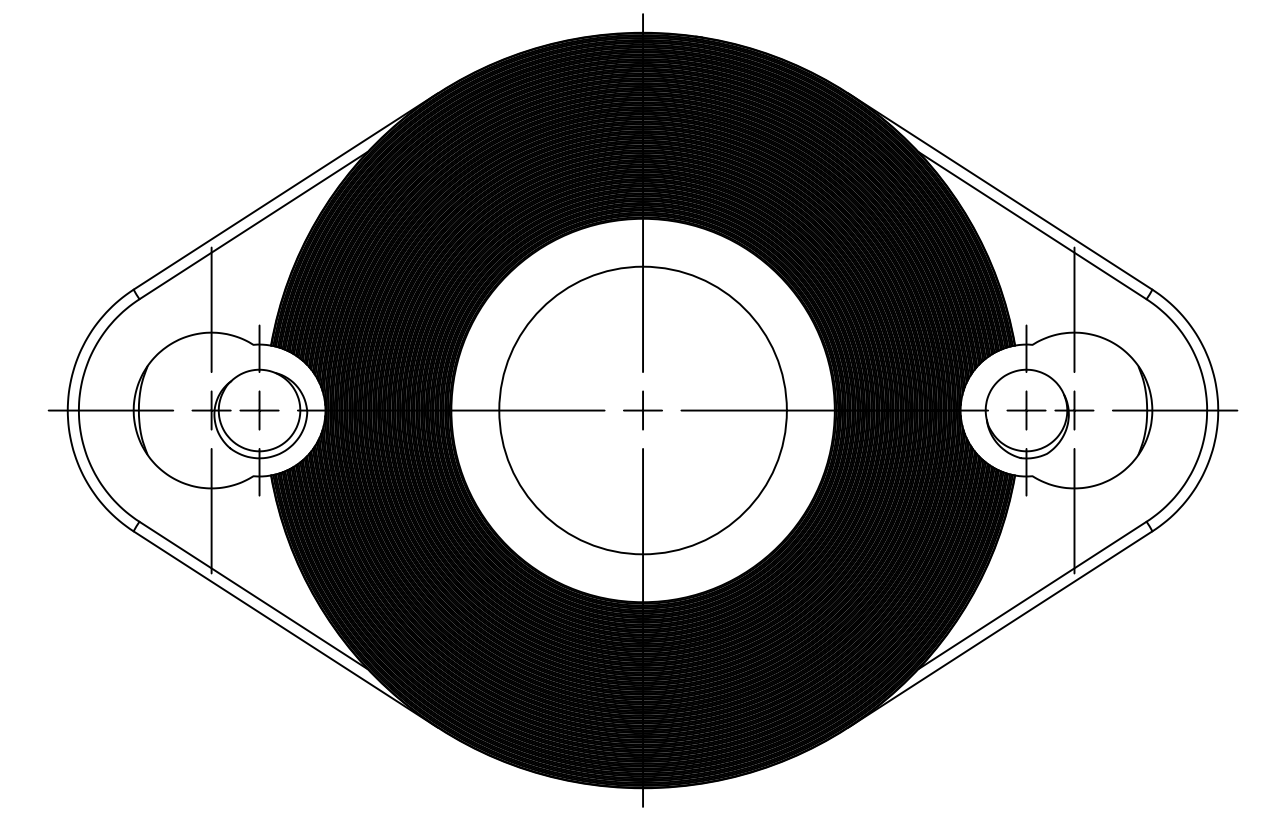


SIZE	A	B
5/8" x 3/4"	1.188	.688
5/8" x 1"	2.062	1.500
3/4"	2.000	1.375
5/8" x 3/4" x 1"	2.062	1.500
3/4" x 1"	1.312	.750

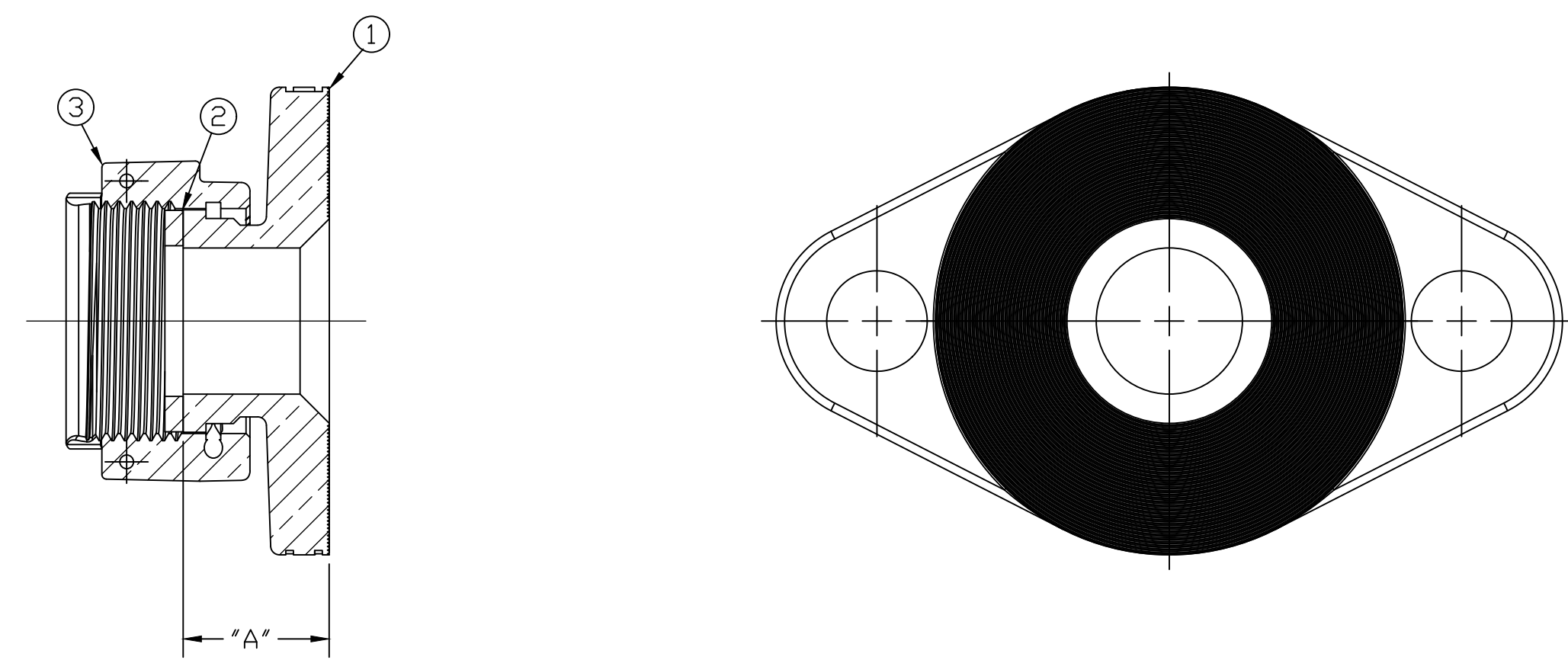
No.	DESCRIPTION	MATERIAL
1	BODY	LEAD FREE BRASS ALLOY ASTM B584



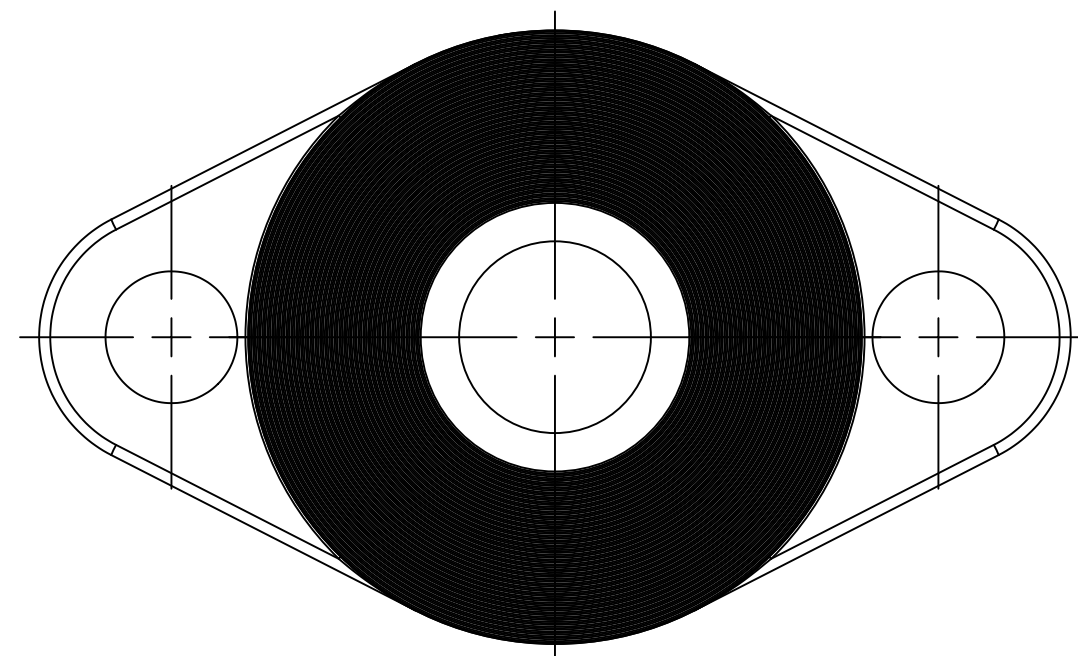
SIZE	A
1-1/2" X 2"	1.875



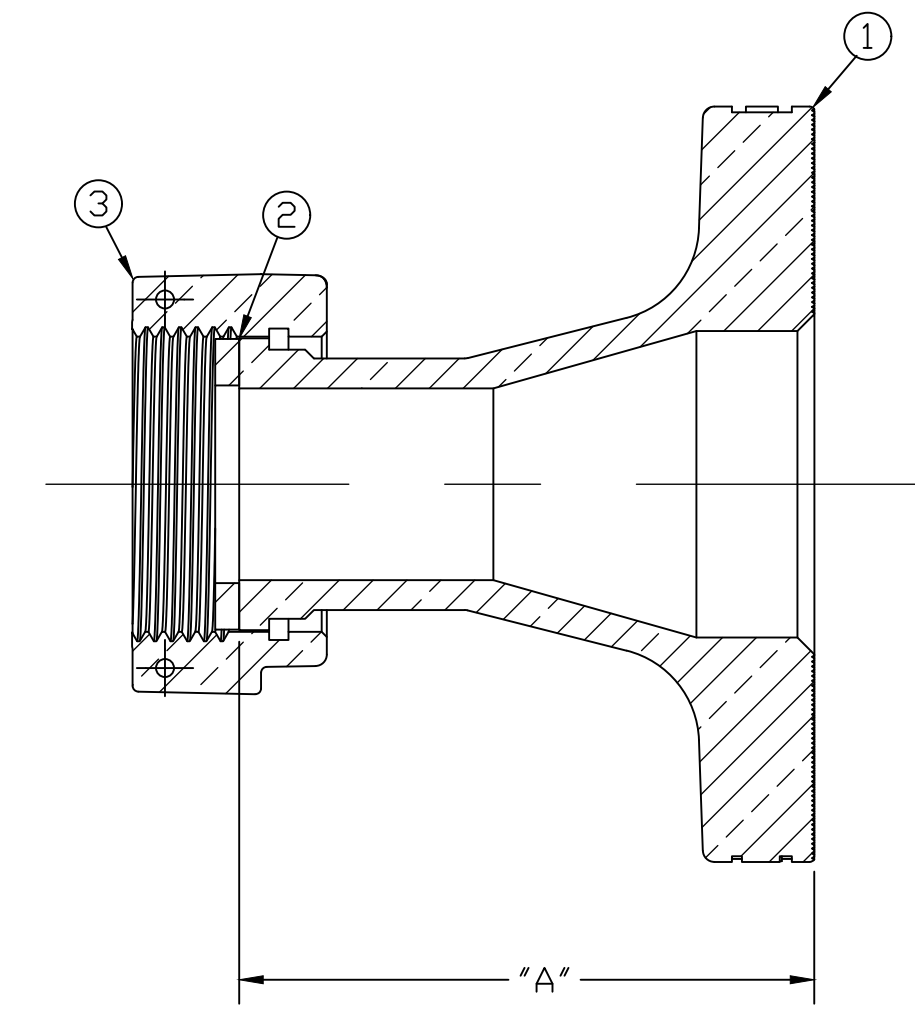
No.	DESCRIPTION	MATERIAL
1	HEX BUSHING	LEAD FREE BRASS ALLOY ASTM B584
2	RUBBER GASKET	EPDM D2000
2	SADDLE NUT	CAST BRASS ALLOY ASTM B584



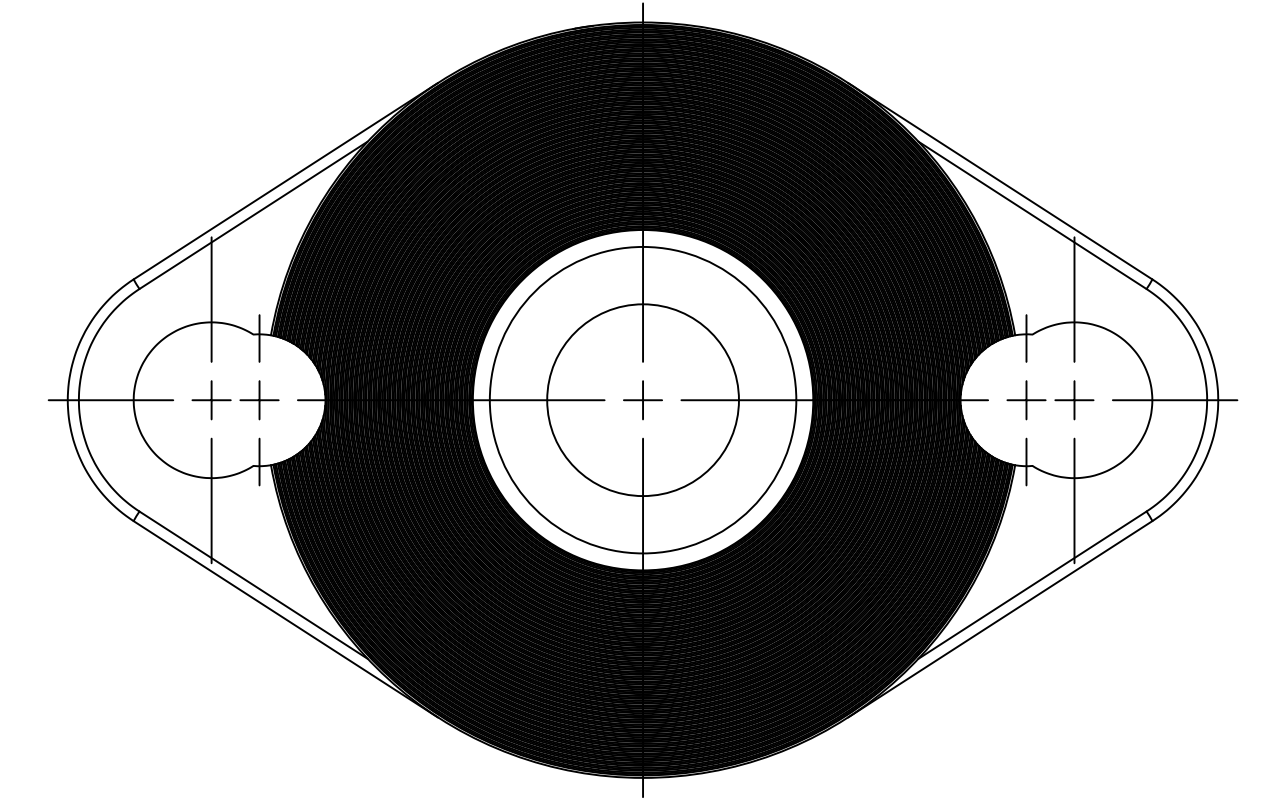
SIZE	A
1" X 1 1/2"	1.000



No.	DESCRIPTION	MATERIAL
1	HEX BUSHING	LEAD FREE BRASS ALLOY ASTM B584
2	RUBBER GASKET	EPDM D2000
2	SADDLE NUT	CAST BRASS ALLOY ASTM B584



SIZE	A
1" X 2"	3.000



MEETS ALL REQUIREMENTS OF AWWA C800  
 ALL WETTED PARTS ARE LEAD FREE BRASS ALLOY C89833/C87850  
 ALL NON WETTED PARTS ARE BRASS ALLOY C83600/C87850

DRFTR	AD	03/14/23	<b>MUELLER</b>	THIRD ANGLE PROJECTION
CHKR				
ENGR				
MGR				
UNLESS OTHERWISE NOTED			REF. No.	SCALE
SURFACE PREPARATION				
BREAK CORNER(S) --- .000				
SURFACE FINISH -- XX RMS				
TOLERANCE(S)			FULL	
LINEAR ----- ± .000				
ANGULAR ----- ± 0°00'				
STK No:			PART NUMBER	
DESCR:			H10879N	

TITLE TO AND OWNERSHIP OF THIS ENGINEERING  
 DATA REMAINS IN Mueller Co. NO USE IS TO BE  
 MADE OF THIS DATA EXCEPT AS SPECIFICALLY  
 AUTHORIZED BY Mueller Co. ASSENT ON THE PART  
 OF THE RECIPIENT TO THESE CONDITIONS IS PRESUMED

DWG NUMBER  
 H10879N

METER BUSHING