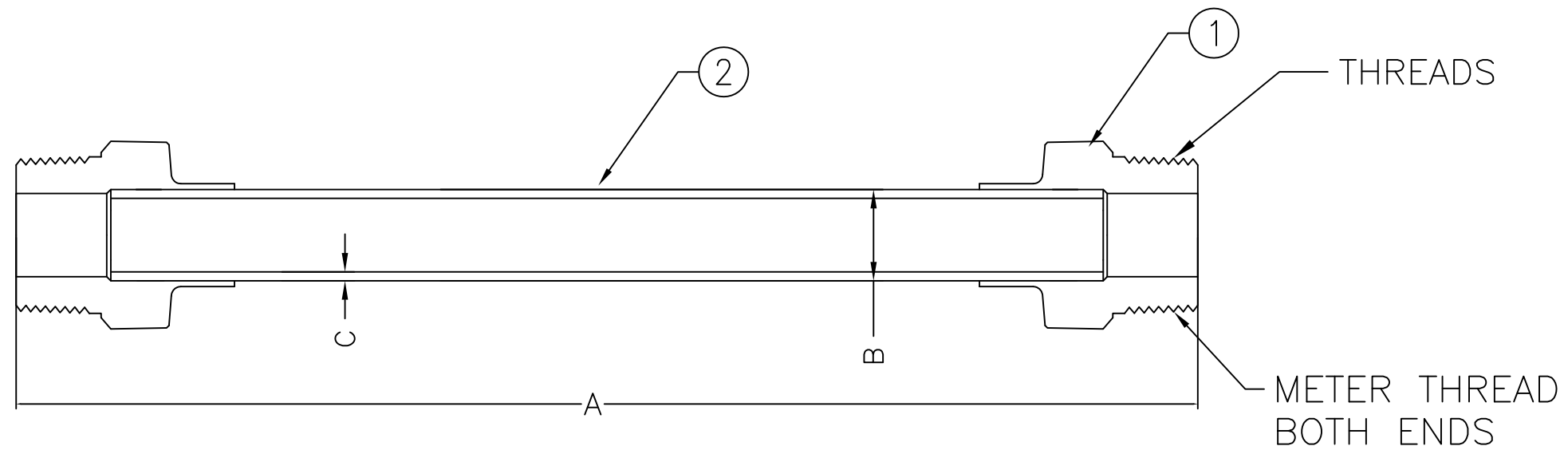


ITEM	DESCRIPTION	PART NO.	REQ'D
1	COPPER SPUD WITH METER THREAD		2
2	COPPER TUBING		1

PART NO.	SIZE	A	B	C	THREADS
203H10887-----N	5/8" X 3/4"	7-1/2"	3/4"	.049"	1-11.5 NPSH
250H10887-----N	3/4"	9"	3/4"	.049"	1-11.5 NPSH
330H10887-----N	1"	10-3/4"	1-1/8"	.065"	1-1/4 - 11.5 NPSH



FOR REFERENCE ONLY

THREAD REFERENCE	
1-11.5 NPSH	1-1/4 - 11.5 NPSH
MAJOR DIA: 1.2951/1.2781	MAJOR DIA: 1.6399/1.6229
PITCH DIA: 1.2386/1.2301	PITCH DIA: 1.5834/1.5749
MAX MINOR DIA (REF) 1.1821	MAX MINOR DIA (REF) 1.5629

DRFT'R	BBF	8/16/16	THIRD ANGLE PROJECTION	REF. NO.	SCALE
CHK'R					NONE
E.O. NUMBER				STOCK No.	
			DESCR.	REV.	NUMBER
			METER IDLER ASSEMBLY LOW LEAD BRASS		330H10887-----N
					SHEET 1 OF 1

330H10887-----N

REV.	DESCRIPTION	REF.	DRFT'R	CHK'R	APP	DATE