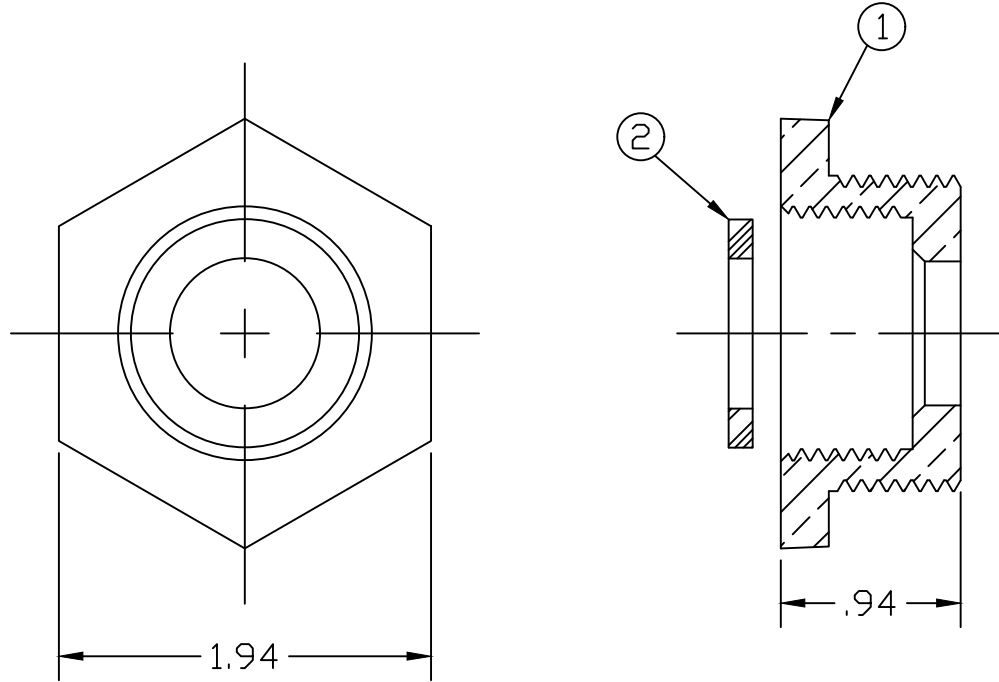


DWG NUMBER  
H1088900N

No.	DESCRIPTION	MATERIAL
1	BUSHING	LEAD FREE BRASS ALLOY ASTM B584
2	GASKET	NITRILE ASTM D2000



TITLE TO AND OWNERSHIP OF THIS ENGINEERING DATA REMAINS IN Mueller Co. NO USE IS TO BE MADE OF THIS DATA EXCEPT AS SPECIFICALLY AUTHORIZED BY Mueller Co. ASSENT ON THE PART OF THE RECIPIENT TO THESE CONDITIONS IS PRESUMED

MEETS ALL REQUIREMENTS OF  
AWWA C800  
ALL WETTED PARTS ARE LEAD  
FREE BRASS ALLOY  
C89833/C87850  
ALL NON WETTED PARTS ARE  
BRASS ALLOY C83600/C87850

DRFTR	AD	03/15/23
CHKR		
ENGR		
MGR		
	BY	DATE

**MUELLER**

UNLESS OTHERWISE NOTED  
SURFACE PREPARATION:  
BREAK CORNER(S) ---- .000  
SURFACE FINISH -- XX RMS  
TOLERANCE(S):  
LINEAR ----- ± .000  
ANGULAR ----- ± 0°00'

THIRD ANGLE PROJECTION	
REF. No.	SCALE
	FULL

STK No:	
MAT'L:	
DESCR.	3/4" x 1" METER BUSHING (FOR PLAIN METER NUT)
	DWG NUMBER H1088900N