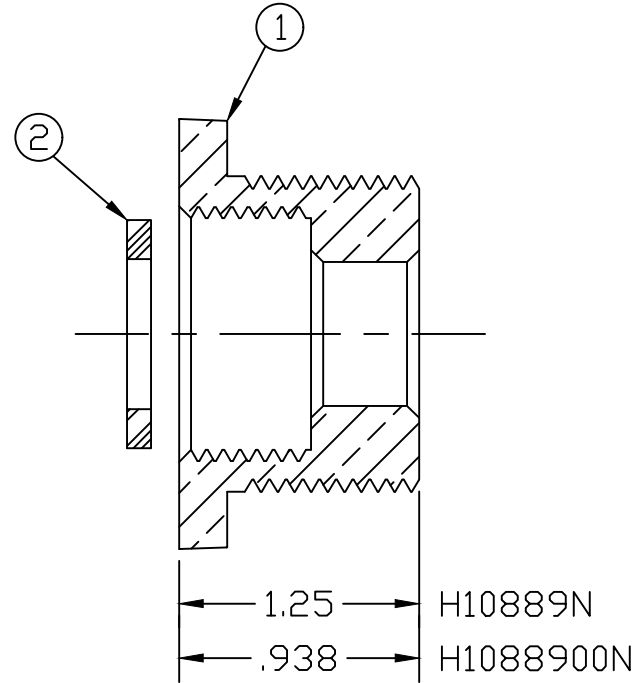
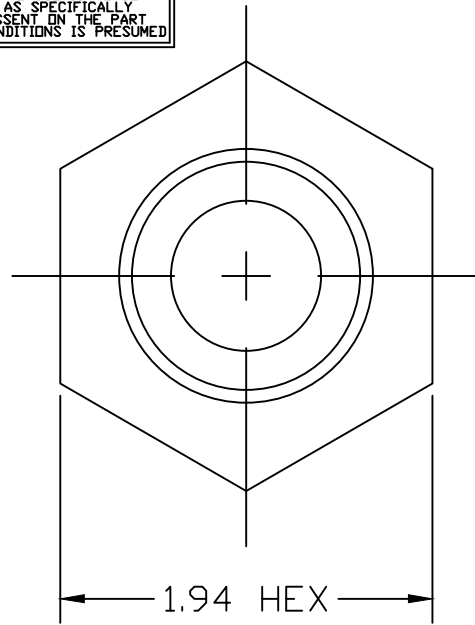


DWG NUMBER
H10889N

No.	DESCRIPTION	MATERIAL
1	BUSHING	LEAD FREE BRASS ALLOY ASTM B584
2	GASKET	NITRILE ASTM D2000

TITLE TO AND OWNERSHIP OF THIS ENGINEERING DATA REMAINS IN Mueller Co. NO USE IS TO BE MADE OF THIS DATA EXCEPT AS SPECIFICALLY AUTHORIZED BY Mueller Co. ASSENT ON THE PART OF THE RECIPIENT TO THESE CONDITIONS IS PRESUMED



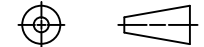
MEETS ALL REQUIREMENTS OF
AWWA C800
ALL WETTED PARTS ARE LEAD
FREE BRASS ALLOY
C89833/C87580
ALL NON WETTED PARTS ARE
BRASS ALLOY C83600/C87850

DRFTR	AD	03/15/23
CHKR		
ENGR		
MGR		
	BY	DATE

MUELLER

UNLESS OTHERWISE NOTED
SURFACE PREPARATION:
BREAK CORNER(S) ---- .000
SURFACE FINISH -- XX RMS
TOLERANCE(S):
LINEAR ----- ± .000
ANGULAR ----- ± 0°00'

THIRD ANGLE PROJECTION



REF. No.	SCALE
	FULL

STK No:		
MAT'L:		
DESCR.	3/4"x1" METER BUSHING (FOR SADDLE METER NUT)	DWG NUMBER H10889N