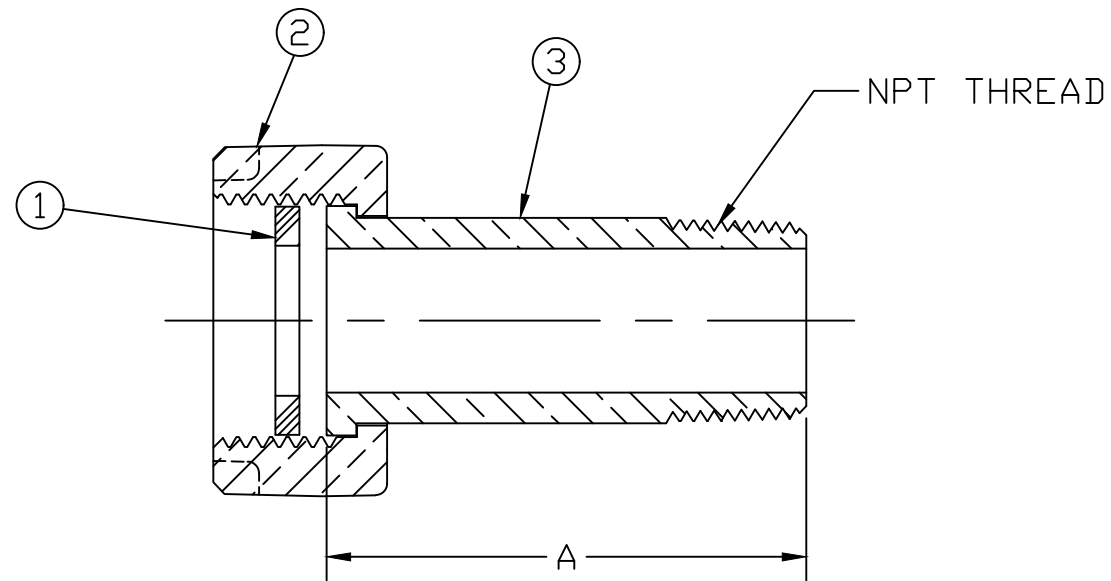


No.	QTY.	DESCRIPTION	MATERIAL
1	1	RUBBER GASKET	NITRILE D2000
2	1	COUP. NUT	CAST BRASS ALLOY ASTM B584
3	1	TAILPIECE	LEAD FREE BRASS ALLOY ASTM B584



METER COUP. SIZE	A	MIP SIZE
5/8 x 1/2	2.375	1/2
5/8 x 3/4 x 3/4	2.500	3/4
1	2.625	1

MEETS ALL REQUIREMENTS OF AWWA C800
 ALL WETTED PARTS ARE LEAD FREE BRASS ALLOY C89833/C87850
 ALL NON WETTED PARTS ARE BRASS ALLOY C83600/C87850

DWG NUMBER
H10890N

TITLE TO AND OWNERSHIP OF THIS ENGINEERING
 DATA REMAINS IN Mueller Co. NO USE IS TO BE
 MADE OF THIS DATA EXCEPT AS SPECIFICALLY
 AUTHORIZED BY Mueller Co. ASSENT ON THE PART
 OF THE RECIPIENT TO THESE CONDITIONS IS PRESUMED

DRFTR	AD	02/10/23	MUELLER	
CHKR				
ENGR				
MGR				
			UNLESS OTHERWISE NOTED	THIRD ANGLE PROJECTION
			SURFACE PREPARATION:	
			BREAK CORNER(S) ----- .000	
			SURFACE FINISH -- 000 RMS	REF. No.
	BY	DATE	TOLERANCE(S):	SCALE
			LINEAR ----- ± .000	NONE
			ANGULAR ----- ± 0°00'	
STK No:			MAT'L:	
			DESCR.	DWG NUMBER
			STRAIGHT METER COUPLING	H10890N
			(METER x MIP)	