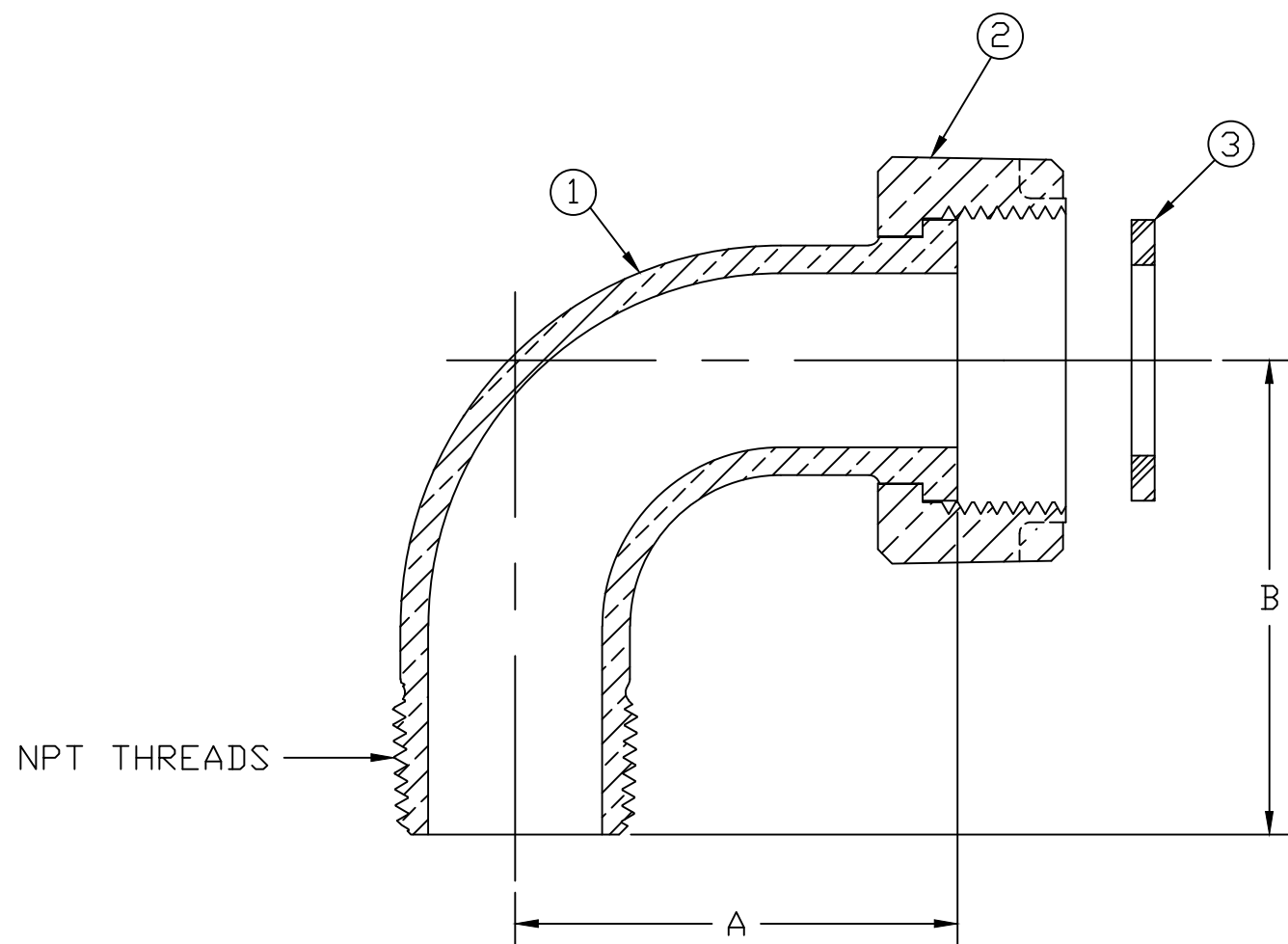


No.	QTY	DESCRIPTION	MATERIAL
1	1	SPUD	LEAD FREE BRASS ALLOY ASTM B584
2	1	MTR NUT	CAST BRASS ALLOY ASTM B584
3	1	GASKET	NITRILE ASTM D2000



SIZE	A	B
5/8"x1/2"	2.03	2.64
5/8"x3/4"x3/4"	2.06	2.79
1"	2.39	2.56

MEETS ALL REQUIREMENTS OF AWWA C800  
 ALL WETTED PARTS ARE LEAD FREE BRASS ALLOY C89833/C87850  
 ALL NON WETTED PARTS ARE BRASS ALLOY C83600/C87850

DRFTR	AD	02/20/23	<b>MUELLER</b>	
CHKR				
ENGR			UNLESS OTHERWISE NOTED SURFACE PREPARATION: BREAK CORNER(S) ---- .000 SURFACE FINISH -- XX RMS	THIRD ANGLE PROJECTION
MGR				TOLERANCE(S): LINEAR ----- ± .000 ANGULAR ----- ± 0°00'
STK No:				
MAT'L:				
DESCR.			QUARTER BEND METER COUPLING (MIP x MTR)	DWG NUMBER H10892N

DWG NUMBER  
H10892N

TITLE TO AND OWNERSHIP OF THIS ENGINEERING  
 DATA REMAINS IN Mueller Co. NO USE IS TO BE  
 MADE OF THIS DATA EXCEPT AS SPECIFICALLY  
 AUTHORIZED BY Mueller Co. ASSENT ON THE PART  
 OF THE RECIPIENT TO THESE CONDITIONS IS PRESUMED