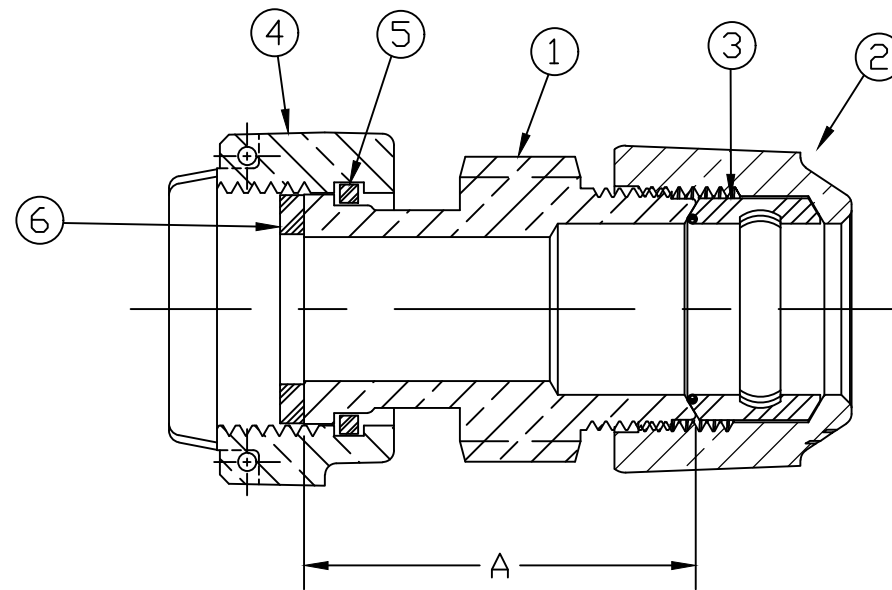


No.	DESCRIPTION	MATERIAL
1	SPUD	LEAD FREE BRASS ALLOY ASTM B584
2	CONN. NUT	CAST BRASS ALLOY ASTM B584
3	CTS GSKT SUB	SBR ASTM D2000 - GSKT 410 <sub>ss</sub> - BAND
4	SADDLE NUT	CAST BRASS ALLOY ASTM B584
5	SNAP RING	PHOS BRONZE
6	RUBBER GASKET	NITRILE ASTM D2000



SIZE	A
3/4"	2-3/8"
5/8" x 3/4" x 1"	2-3/16"
1"	2-5/32"

MEETS ALL REQUIREMENTS OF AWWA C800  
 ALL WETTED PARTS ARE LEAD FREE BRASS ALLOY C89833/C87850  
 ALL NON WETTED PARTS ARE BRASS ALLOY C83600/C87850

DRFTR	AD	03/13/23	<b>MUELLER</b>	
CHKR				
ENGR			UNLESS OTHERWISE NOTED SURFACE PREPARATION: BREAK CORNER(S) ----- .000 SURFACE FINISH -- XX RMS	THIRD ANGLE PROJECTION
MGR				TOLERANCE(S): LINEAR ----- ± .000 ANGULAR ----- ± 0°00'
STK No:				
MAT'L:				
DESCR.			DWG NUMBER	
STRAIGHT METER COUPLING (METER SADDLE SWIVEL NUT x 110 CTS)			H14201N	

TITLE TO AND OWNERSHIP OF THIS ENGINEERING  
 DATA REMAINS IN Mueller Co. NO USE IS TO BE  
 MADE OF THIS DATA EXCEPT AS SPECIFICALLY  
 AUTHORIZED BY Mueller Co. ASSENT ON THE PART  
 OF THE RECIPIENT TO THESE CONDITIONS IS PRESUMED

DWG NUMBER  
 H14201N