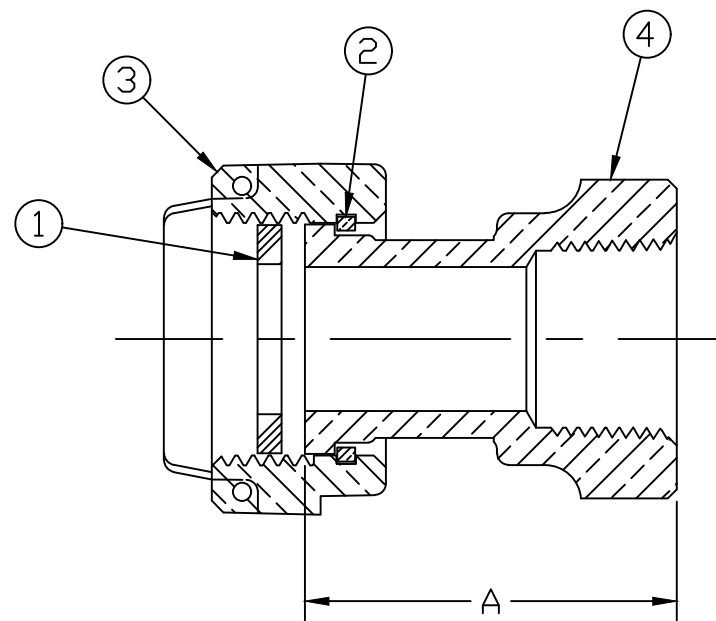


No.	DESCRIPTION	MATERIAL
1	RUBBER GASKET	NITRILE D2000
2	SNAP RING	COPPER ALLOY CDA521
3	SADDLE NUT	CAST BRASS ALLOY ASTM B584
4	TAILPIECE	LEAD FREE BRASS ALLOY ASTM B584



METER CONNX SIZE	A
5/8" x 3/4"	1.938
5/8" x 3/4" x 3/4"	1.938
5/8" x 3/4" x 1"	2.184
1"	2.219

MEETS ALL REQUIREMENTS OF AWWA C800
 ALL WETTED PARTS ARE LEAD FREE BRASS ALLOY C89833/C87850
 ALL NON WETTED PARTS ARE BRASS ALLOY C83600/C87850

DRFTR	AD	02/20/23	MUELLER	
CHKR				
ENGR			UNLESS OTHERWISE NOTED	THIRD ANGLE PROJECTION
MGR				SURFACE PREPARATION: BREAK CORNER(S) ----- .000 SURFACE FINISH -- XX RMS TOLERANCE(S): LINEAR ----- ± .000 ANGULAR ----- ± 0°00'
	BY	DATE	REF. No.	SCALE
STK No:				NONE
MAT'L:				
DESCR.			METER COUPLING (METER x FIP)	DWG NUMBER H14215N

TITLE TO AND OWNERSHIP OF THIS ENGINEERING
 DATA REMAINS IN Mueller Co. NO USE IS TO BE
 MADE OF THIS DATA EXCEPT AS SPECIFICALLY
 AUTHORIZED BY Mueller Co. ASSENT ON THE PART
 OF THE RECIPIENT TO THESE CONDITIONS IS PRESUMED

DWG NUMBER
H14215N