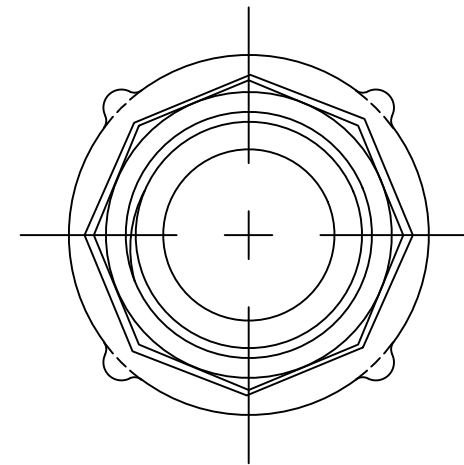
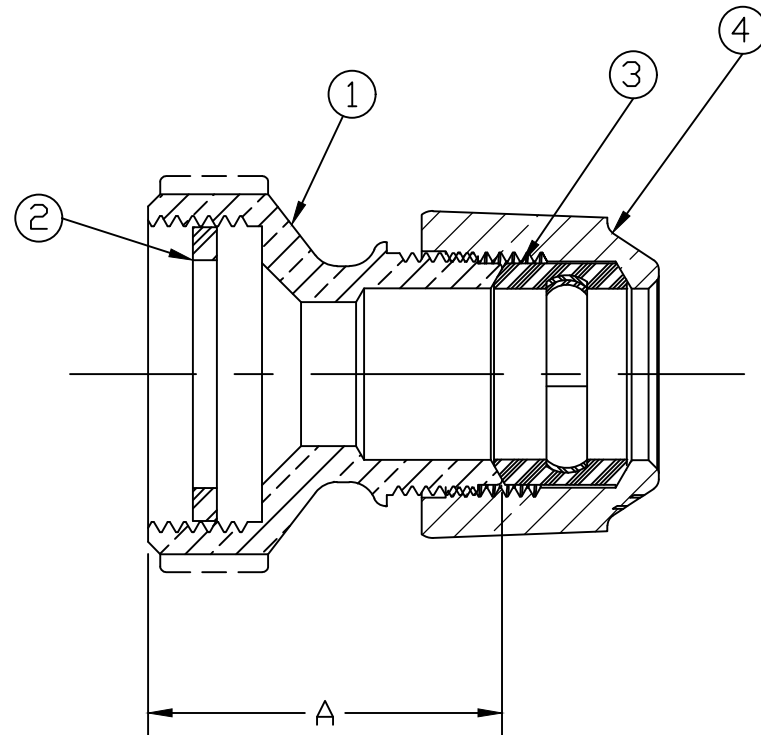


No.	DESCRIPTION	MATERIAL
1	TAILPIECE	LEAD FREE BRASS ALLOY ASTM B584
2	GASKET	FIBER ASTM D710
3	CTS GASKET SUB	ASTM D2000(SBR)&410 STAINLESS STL
4	CONNX NUT	CAST BRASS ALLOY ASTM B584



SIZE	A
5/8" x 3/4" x 3/4"	1.84
5/8" x 3/4" x 1"	2.06
1"	2.36

MEETS ALL REQUIREMENTS OF AWWA C800
 ALL WETTED PARTS ARE LEAD FREE BRASS ALLOY C89833/C87850
 ALL NON WETTED PARTS ARE BRASS ALLOY C83600/C87850

DWG NUMBER
H14227N

TITLE TO AND OWNERSHIP OF THIS ENGINEERING
 DATA REMAINS IN Mueller Co. NO USE IS TO BE
 MADE OF THIS DATA EXCEPT AS SPECIFICALLY
 AUTHORIZED BY Mueller Co. ASSENT ON THE PART
 OF THE RECIPIENT TO THESE CONDITIONS IS PRESUMED

DRFTR	AD	03/15/23	MUELLER	
CHKR				
ENGR			UNLESS OTHERWISE NOTED	THIRD ANGLE PROJECTION
MGR				SURFACE PREPARATION: BREAK CORNER(S) ---- .000 SURFACE FINISH -- XX RMS TOLERANCE(S): LINEAR ----- ± .000 ANGULAR ----- ± 0°00'
	BY	DATE	REF. No.	SCALE
STK No:				FULL
MAT'L:				
DESCR.	METER YOKE COUPLING (110 CTS x MULTI THR'D)			DWG NUMBER H14227N