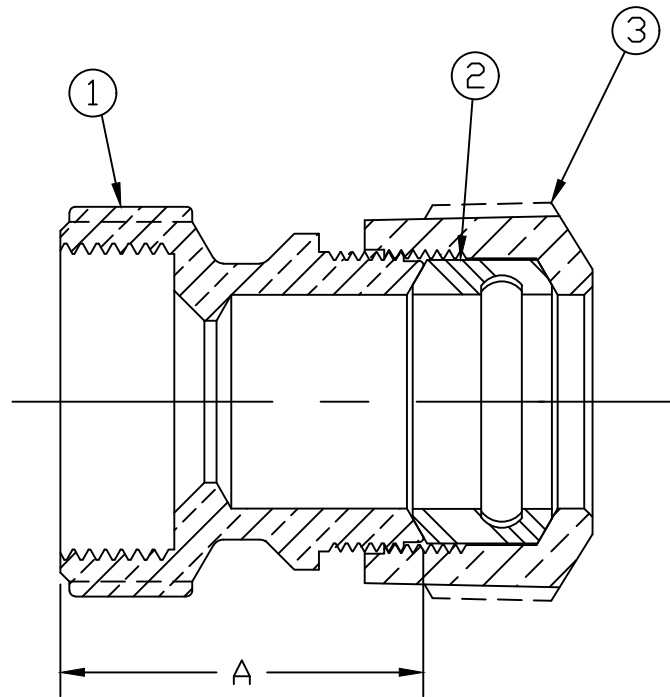


No.	DESCRIPTION	MATERIAL
1	SPUD	CAST LOW LEAD BRASS ALLOY
2	PE GASKET	BUNA N ASTM D2000
3	CONN NUT	CAST BRASS ASTM B62 ALLOY C83600



SIZE	A
5/8" x 3/4" x 3/4"	1.89
1"	2.06

ALL WETTED PARTS ARE LOW LEAD BRASS ALLOY

FILEPATH: PROD-ENG\MUELLER\ASYSUBMITTALS\H14228N

						DRFTR	RWB	4/10/15	<b>MUELLER</b>	THIRD ANGLE PROJECTION 
						CHKR				
						ENGR				
						MGR				
									UNLESS OTHERWISE NOTED	REF. No.    SCALE NONE
									SURFACE PREPARATION:	
									BREAK CORNER(S) ---- .000 SURFACE FINISH -- XX RMS	
							BY	DATE	TOLERANCE(S):	
									LINEAR ----- ± .000	
									ANGULAR ----- ± 0°00'	
								STK No:		
								MAT'L:		
								DESCR.	LLB METER YOKE COUPLING MULTI-PURPOSE x IPS 110	DWG NUMBER H14228N

DWG NUMBER  
H14228N  
442-MRKTNG

TITLE TO AND OWNERSHIP OF THIS ENGINEERING DATA REMAINS IN Mueller Co. NO USE IS TO BE MADE OF THIS DATA EXCEPT AS SPECIFICALLY AUTHORIZED BY Mueller Co. ASSENT ON THE PART OF THE RECIPIENT TO THESE CONDITIONS IS PRESUMED.

REV	ECR	DESCRIPTION	DATE	BY	CHKR

PER EST NO: DXXXX EST FIN WT = 0.0000 lbs