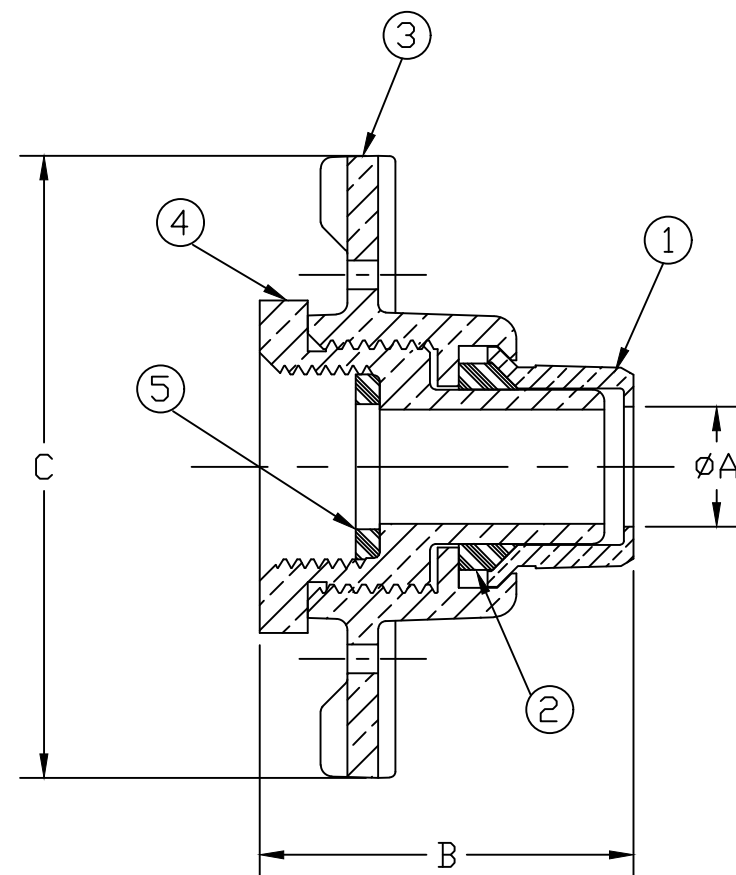
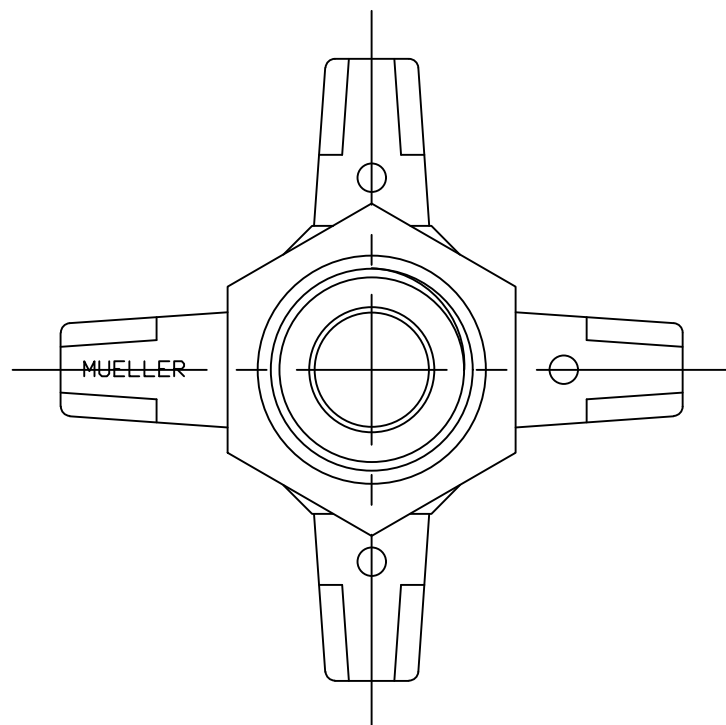


No.	DESCRIPTION	MATERIAL
1	EXT. CAP	LEAD FREE BRASS ALLOY ASTM B584
2	SEAL	ASTM D2000 NBR
3	HANDWHEEL	CAST BRASS ASTM B62 ALLOY C83600
4	METER ADAPTER	LEAD FREE BRASS ALLOY ASTM B584
5	RUBBER GASKET	RUBBER CODE R9



SIZE	ØA	B	C
5/8	.625	1.947	3.240
3/4	.750	2.125	3.500
1	1.000	2.546	4.300

MEETS ALL REQUIREMENTS OF AWWA C800  
 ALL WETTED PARTS ARE LEAD FREE BRASS ALLOY C89833/C87850  
 ALL NON WETTED PARTS ARE BRASS ALLOY C83600/C87850

DRFTR	AD	02/09/23	<b>MUELLER</b>	
CHKR				
ENGR			UNLESS OTHERWISE NOTED SURFACE PREPARATION: BREAK CORNER(S) ----- .000 SURFACE FINISH -- XX RMS	THIRD ANGLE PROJECTION
MGR				TOLERANCE(S): LINEAR ----- ± .000 ANGULAR ----- ± 0°00'
	BY	DATE		SCALE
				FULL
STK No:				
MAT'L:				
DESCR.	3 PC 4 SPOKE NLB HANDWHEEL EXPANSION UNIT			DWG NUMBER
				H14234N

DWG NUMBER  
 H14234N

TITLE TO AND OWNERSHIP OF THIS ENGINEERING  
 DATA REMAINS IN Mueller Co. NO USE IS TO BE  
 MADE OF THIS DATA EXCEPT AS SPECIFICALLY  
 AUTHORIZED BY Mueller Co. ASSENT ON THE PART  
 OF THE RECIPIENT TO THESE CONDITIONS IS PRESUMED