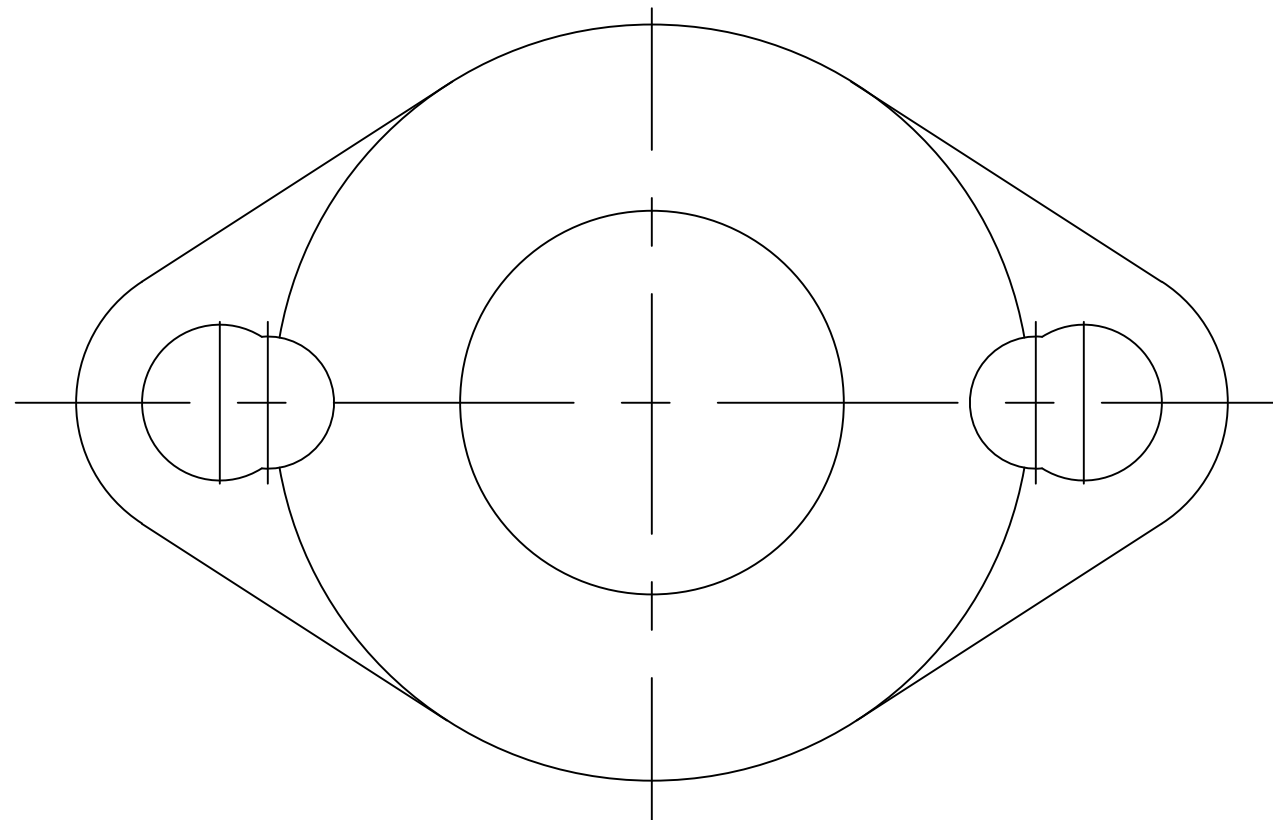


NO.	DESCRIPTION	MATERIAL
1	1st POPPET FACING	RUBBER ASTM D2000 NATURAL RUBBER
2	1st POPPET	CELCON GRADE M90-04 NATURAL COLOR
3	1st POPPET SPRING	STAINLESS STEEL ASTM A313 TYPE 302
4	2nd POPPET FACING	RUBBER ASTM D2000 NATURAL RUBBER
5	2nd POPPET	CELCON GRADE M90-04 NATURAL COLOR
6	2nd POPPET SPRING	STAINLESS STEEL ASTM A313 TYPE 302
7	ORING	RUBBER ASTM D2000 EPDM
8	CAP	LEAD FREE BRASS ALLOY ASTM B584
9	BODY	LEAD FREE BRASS ALLOY ASTM B584
10	SNAP RING	ASTM B134 CDA 521 BRASS BAR
11	RUBBER GASKET	RUBBER ASTM D2000 NITRILE
12	SADDLE NUT	CAST BRASS ALLOY ASTM B584

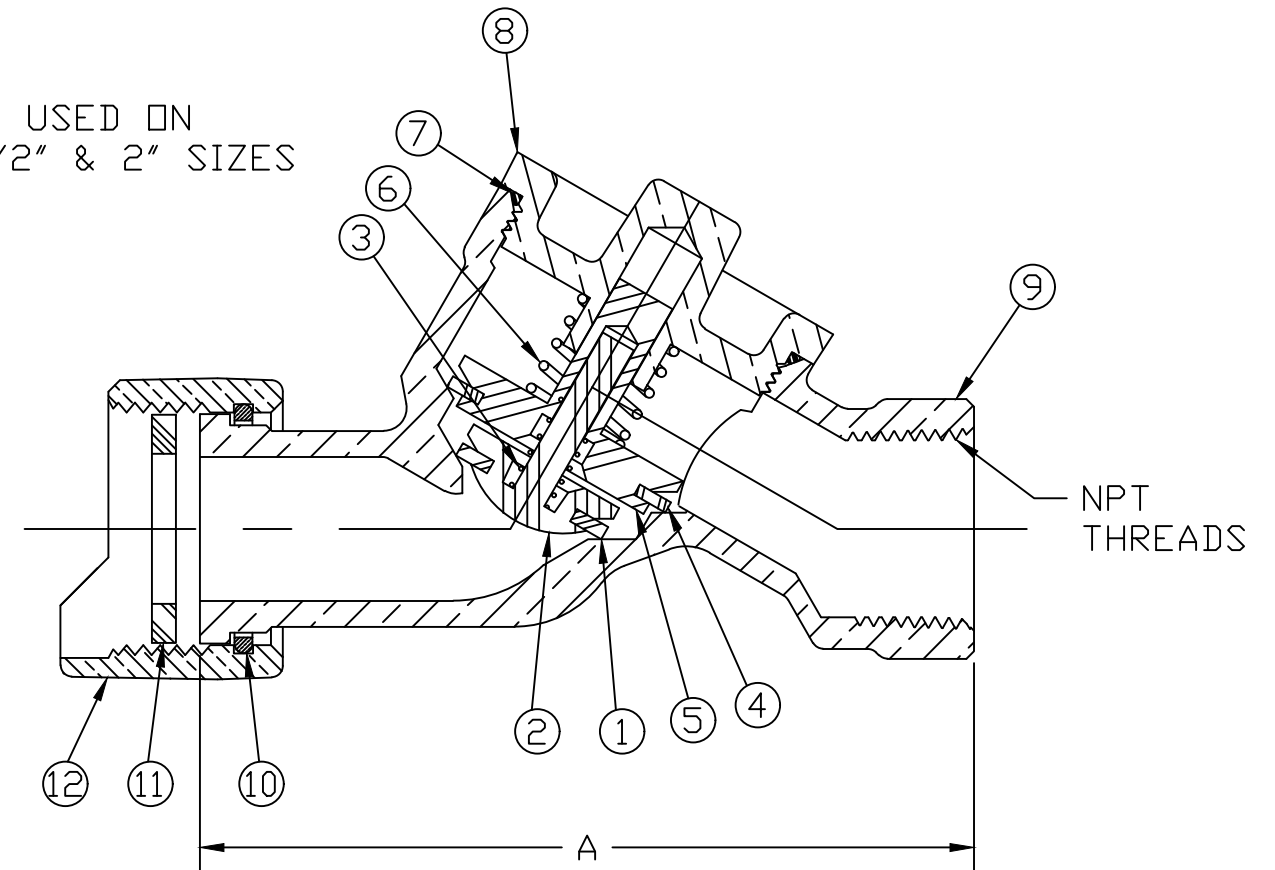
MEETS ALL REQUIREMENTS OF AWWA C800
 ALL WETTED PARTS ARE LEAD FREE BRASS ALLOY C89833/C7850
 ALL NON WETTED PARTS ARE BRASS ALLOY C83600/C87850

SIZE	A
5/8"x3/4"x3/4"	4.03
5/8"x3/4"x1"	4.47
1"	4.67
1 1/2"	5.19
2"	5.19

NOT USED ON
 1-1/2" & 2" SIZES



1-1/2" & 2" END CONFIGURATION
 (DOUBLE DRILLED FOR BOTH SIZES)



DWG NUMBER
 H14242N

TITLE TO AND OWNERSHIP OF THIS ENGINEERING
 DATA REMAINS IN Mueller Co. NO USE IS TO BE
 MADE OF THIS DATA EXCEPT AS SPECIFICALLY
 AUTHORIZED BY Mueller Co. ASSENT ON THE PART
 OF THE RECIPIENT TO THESE CONDITIONS IS PRESUMED

DRFTR	AD	02/10/23	MUELLER	
CHKR				
ENGR			UNLESS OTHERWISE NOTED SURFACE PREPARATION: BREAK CORNER(S) ---- .000 SURFACE FINISH -- XX RMS	THIRD ANGLE PROJECTION
MGR				TOLERANCE(S): LINEAR ----- ± .000 ANGULAR ----- ± 0°00'
STK No:				
MAT'L:				
DESCR.			INLINE DUAL CHECK VALVE (MTR x FIP)	DWG NUMBER H14242N