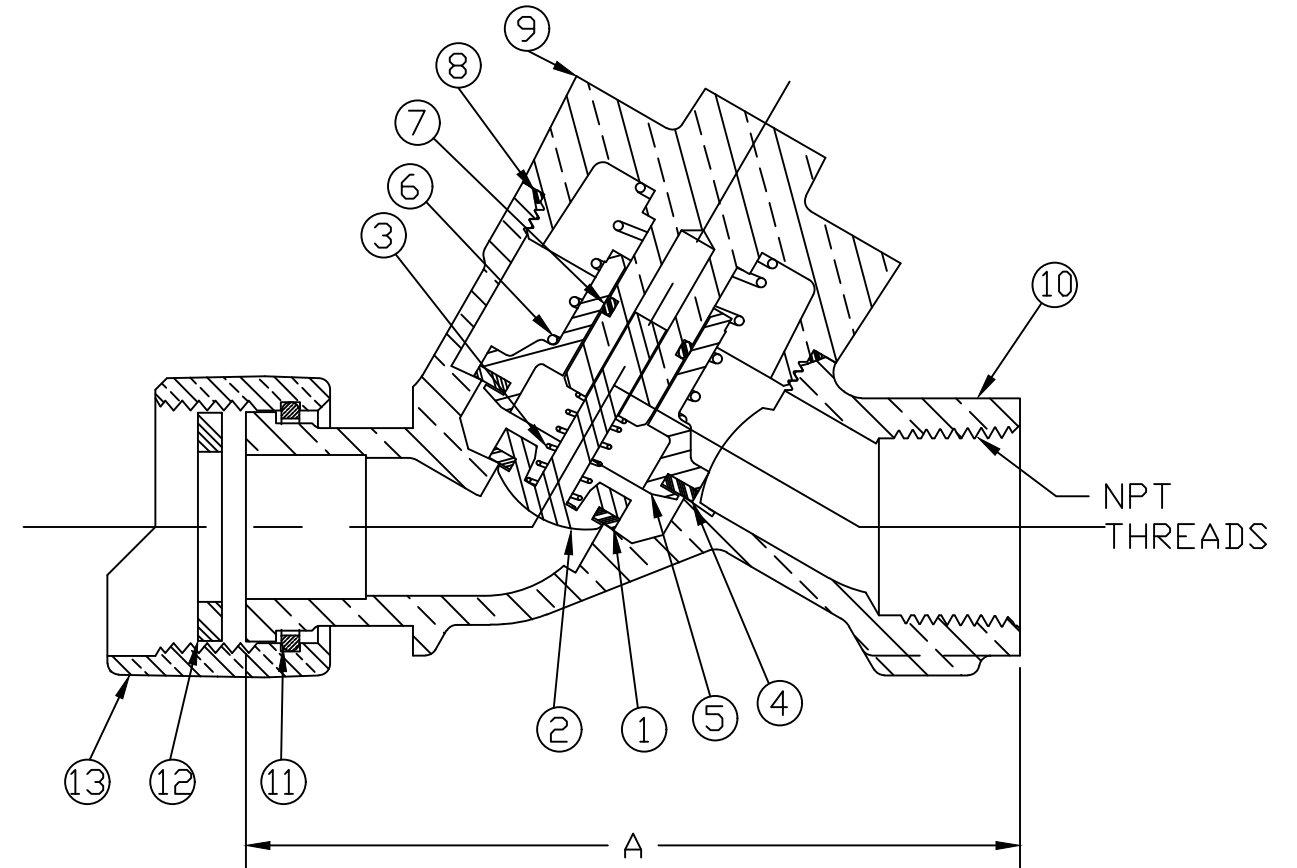


NO.	DESCRIPTION	MATERIAL
1	1st POPPET FACING	RUBBER ASTM D2000 NATURAL RUBBER
2	1st POPPET	CELCON GRADE M90-04 NATURAL COLOR
3	1st POPPET SPRING	STAINLESS STEEL ASTM A313 TYPE 302
4	2nd POPPET FACING	RUBBER ASTM D2000 NATURAL RUBBER
5	2nd POPPET	CELCON GRADE M90-04 NATURAL COLOR
6	2nd POPPET SPRING	STAINLESS STEEL ASTM A313 TYPE 302
7	ORING	RUBBER ASTM D2000 EPDM
8	ORING	RUBBER ASTM D2000 EPDM
9	CAP	LEAD FREE BRASS ALLOY ASTM B584
10	BODY	LEAD FREE BRASS ALLOY ASTM B584
11	SNAP RING	ASTM B134 CDA 521 BRASS BAR
12	RUBBER GASKET	RUBBER ASTM D2000 NITRILE
13	SADDLE NUT	CAST BRASS ALLOY ASTM B584

SIZE	A
5/8"x3/4"x3/4"	4.03
1"	4.56



MEETS ALL REQUIREMENTS OF AWWA C800  
 ALL WETTED PARTS ARE LEAD FREE BRASS ALLOY C89833/C87850  
 ALL NON WETTED PARTS ARE BRASS ALLOY C83600/C87850

DWG NUMBER  
H14242NASSE

DRFTR	AD	02/09/23	<b>MUELLER</b>		
CHKR					
ENGR			UNLESS OTHERWISE NOTED SURFACE PREPARATION: BREAK CORNER(S) ---- .000 SURFACE FINISH -- XX RMS	THIRD ANGLE PROJECTION	
MGR				REF. No.	SCALE
	BY	DATE	TOLERANCE(S): LINEAR ----- ± .000 ANGULAR ----- ± 0°00'		NONE
STK No:			MAT'L:		
DESCR:			DESCR:		DWG NUMBER
			INLINE DUAL CHECK VALVE - ASSE (MTR x FIP)		H14242NASSE

TITLE TO AND OWNERSHIP OF THIS ENGINEERING  
 DATA REMAINS IN Mueller Co. NO USE IS TO BE  
 MADE OF THIS DATA EXCEPT AS SPECIFICALLY  
 AUTHORIZED BY Mueller Co. ASSENT ON THE PART  
 OF THE RECIPIENT TO THESE CONDITIONS IS PRESUMED