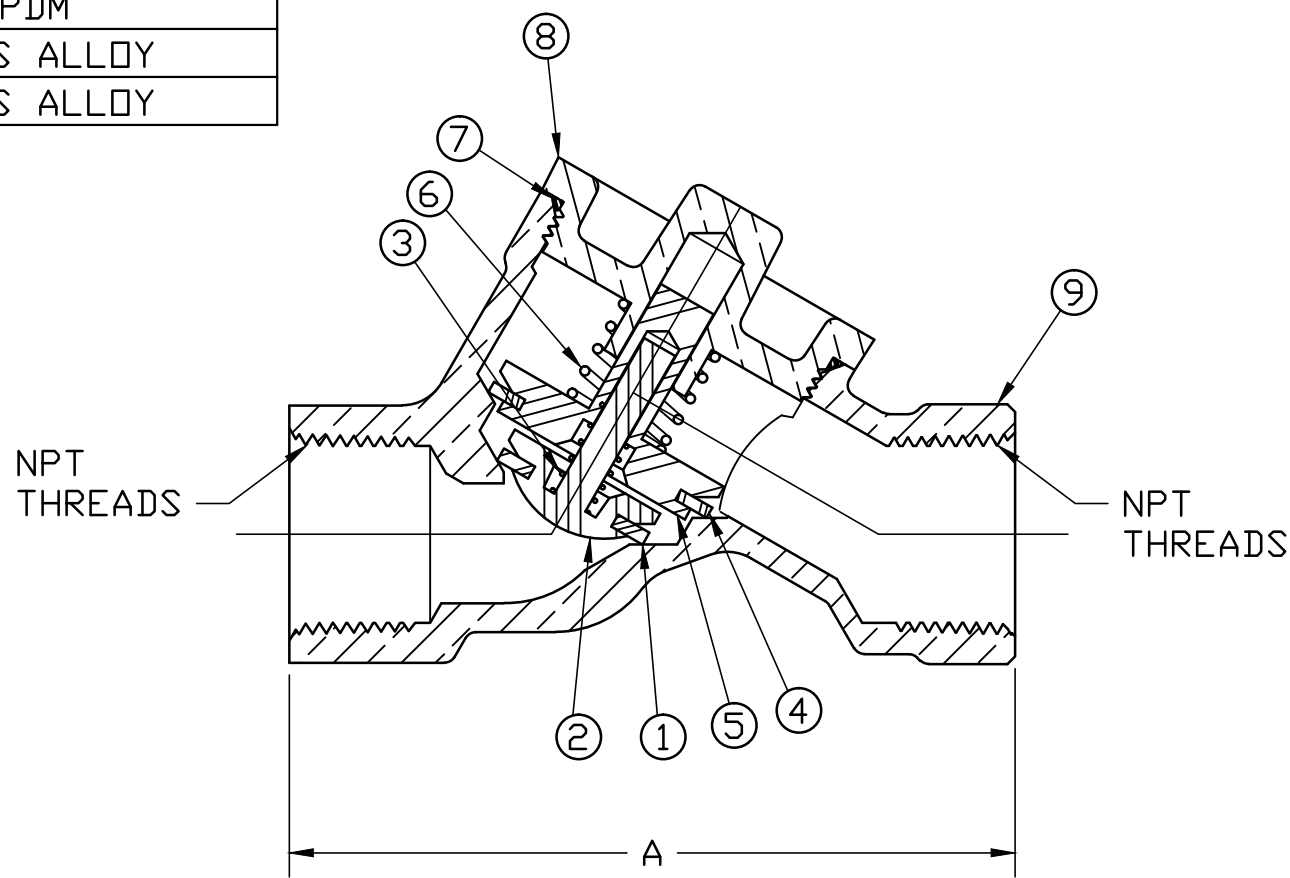


NO.	DESCRIPTION	MATERIAL
1	1st POPPET FACING	RUBBER ASTM D2000 NATURAL RUBBER
2	1st POPPET	CELCON GRADE M90-04 NATURAL COLOR
3	1st POPPET SPRING	STAINLESS STEEL ASTM A313 TYPE 302
4	2nd POPPET FACING	RUBBER ASTM D2000 NATURAL RUBBER
5	2nd POPPET	CELCON GRADE M90-04 NATURAL COLOR
6	2nd POPPET SPRING	STAINLESS STEEL ASTM A313 TYPE 302
7	ORING	RUBBER ASTM D2000 EPDM
8	CAP	CAST LOW LEAD BRASS ALLOY
9	BODY	CAST LOW LEAD BRASS ALLOY

SIZE	A
3/4"	3.91
3/4"x1"	4.05
1"	4.42
1 1/2"	5.41
2"	5.41



ALL WETTED PARTS ARE LOW LEAD BRASS ALLOY

FILEPATH: PROD-ENG\MUELLER\ASYSUBMITTALS\H14243N

DRFTR	JGarvin	5/6/11	Mueller Co.		
CHKR					
ENGR					
MGR					
			UNLESS OTHERWISE NOTED	THIRD ANGLE PROJECTION	
			SURFACE PREPARATION:		
			BREAK CORNER(S) ---- .000		
			SURFACE FINISH -- XX RMS	REF. No.	
			TOLERANCE(S):	SCALE	
			LINEAR ----- ± .000	NONE	
			ANGULAR ----- ± 0°00'		
			BY	DATE	
			STK No:		
			MAT'L:		
			DESCR.		
			INLINE LLB DUAL CHECK VALVE	DWG NUMBER	
			(FIP x FIP)	H14243N	
REV	ECR	DESCRIPTION	DATE	BY	CHKR
PER EST NO: DXXXX EST FIN WT = 0.0000 lbs					

DWG NUMBER
H14243N
442-MRKTNG

TITLE TO AND OWNERSHIP OF THIS ENGINEERING DATA REMAINS IN Mueller Co. NO USE IS TO BE MADE OF THIS DATA EXCEPT AS SPECIFICALLY AUTHORIZED BY Mueller Co. ASSENT ON THE PART OF THE RECIPIENT TO THESE CONDITIONS IS PRESUMED