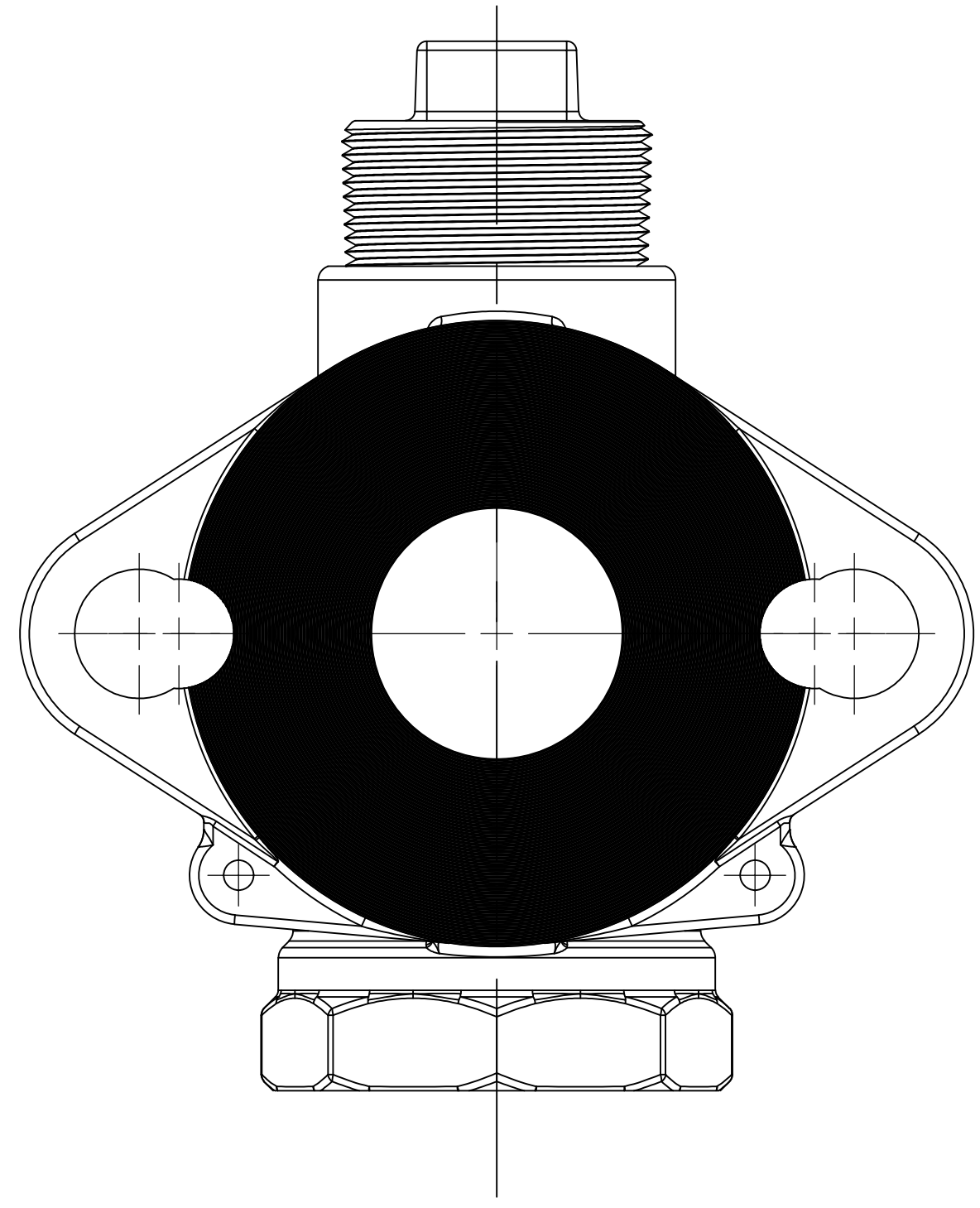
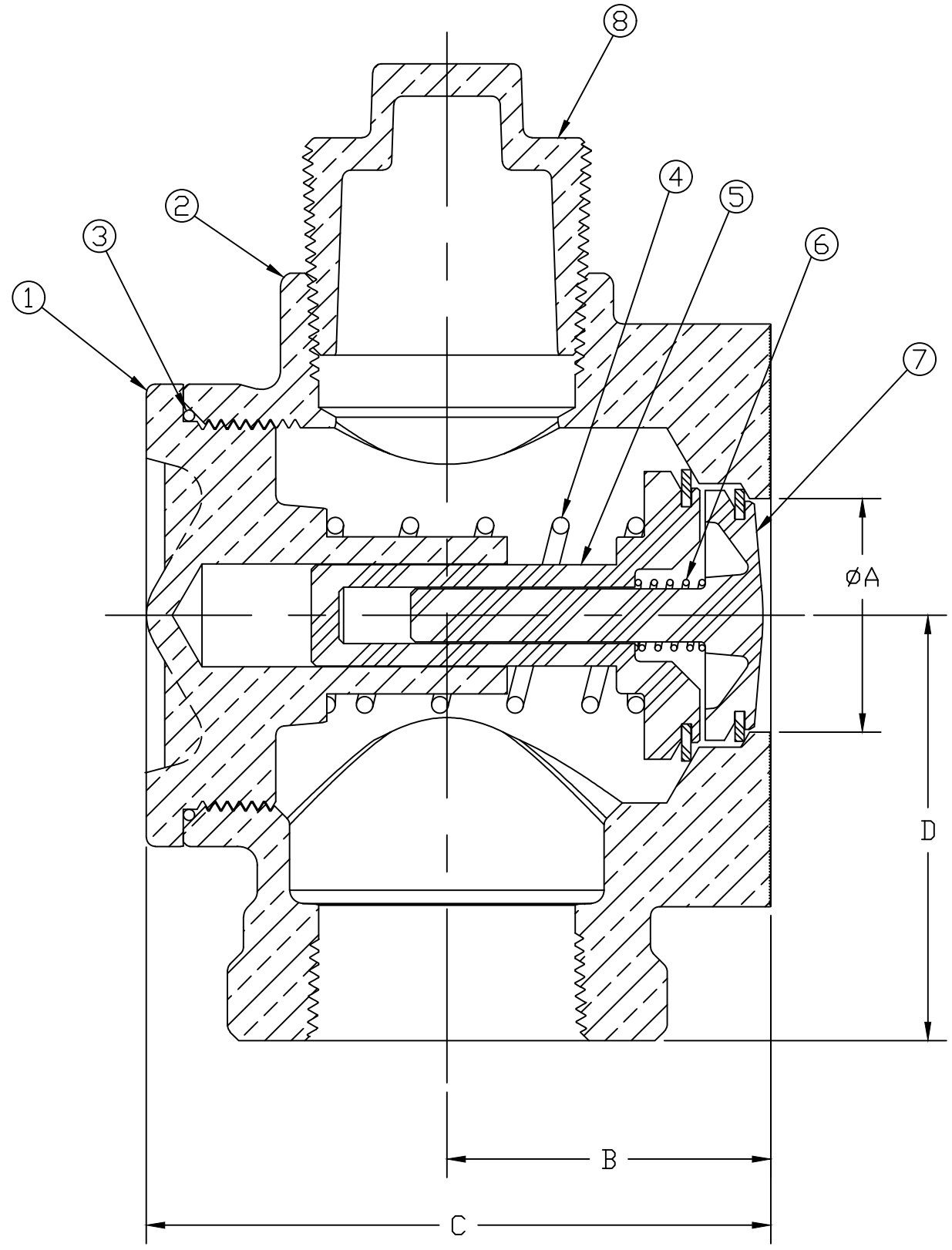


PART NUMBER  
H14244TPN

METER CONNX SIZE	A	B	C	D
1-1/2"	1.578	2.188	4.219	2.875
2"	1.578	2.188	4.219	2.875

No.	DESCRIPTION	MATERIAL
1	CAP	CAST NO LEAD BRASS ALLOY
2	BODY	CAST NO LEAD BRASS ALLOY
3	O-RING	EPDM D2000
4	SPRING	302 STAINLESS STEEL
5	POPPET ASS'Y	CELCON (M270) EPDM (D2000)
6	SPRING	302 STAINLESS STEEL
7	POPPET ASS'Y	CELCON (M270) EPDM (D2000)
8	PLUG	CAST NO LEAD BRASS ALLOY



ALL WETTED PARTS ARE NO LEAD BRASS ALLOY

DRFTR	RWB	3/2/20	<b>MUELLER</b>	UNLESS OTHERWISE NOTED SURFACE PREPARATION: BREAK CORNERS) ---- .000 SURFACE FINISH -- XX RMS TOLERANCE(S): LINEAR ----- ± .000 ANGULAR ----- ± 0°00'	THIRD ANGLE PROJECTION REF. No. SCALE FULL	
CHKR						
ENGR						
MGR						
BY	DATE		STK No:			
MAT'L:			DESCR.	1-1/2" & 2" ANGLE CHECK W/ PORT NLB (METER x FIP) VALVE		
REV	ECR	DESCRIPTION	DATE	BY	CHKR	
PER EST NO: DXXXX EST FIN WT = 0.0000 lbs						PART NUMBER H14244TPN

TITLE TO AND OWNERSHIP OF THIS ENGINEERING DATA REMAINS IN Mueller Co. NO USE IS TO BE MADE OF THIS DATA EXCEPT AS SPECIFICALLY AUTHORIZED BY Mueller Co. ASSENT ON THE PART OF THE RECIPIENT TO THESE CONDITIONS IS PRESUMED.