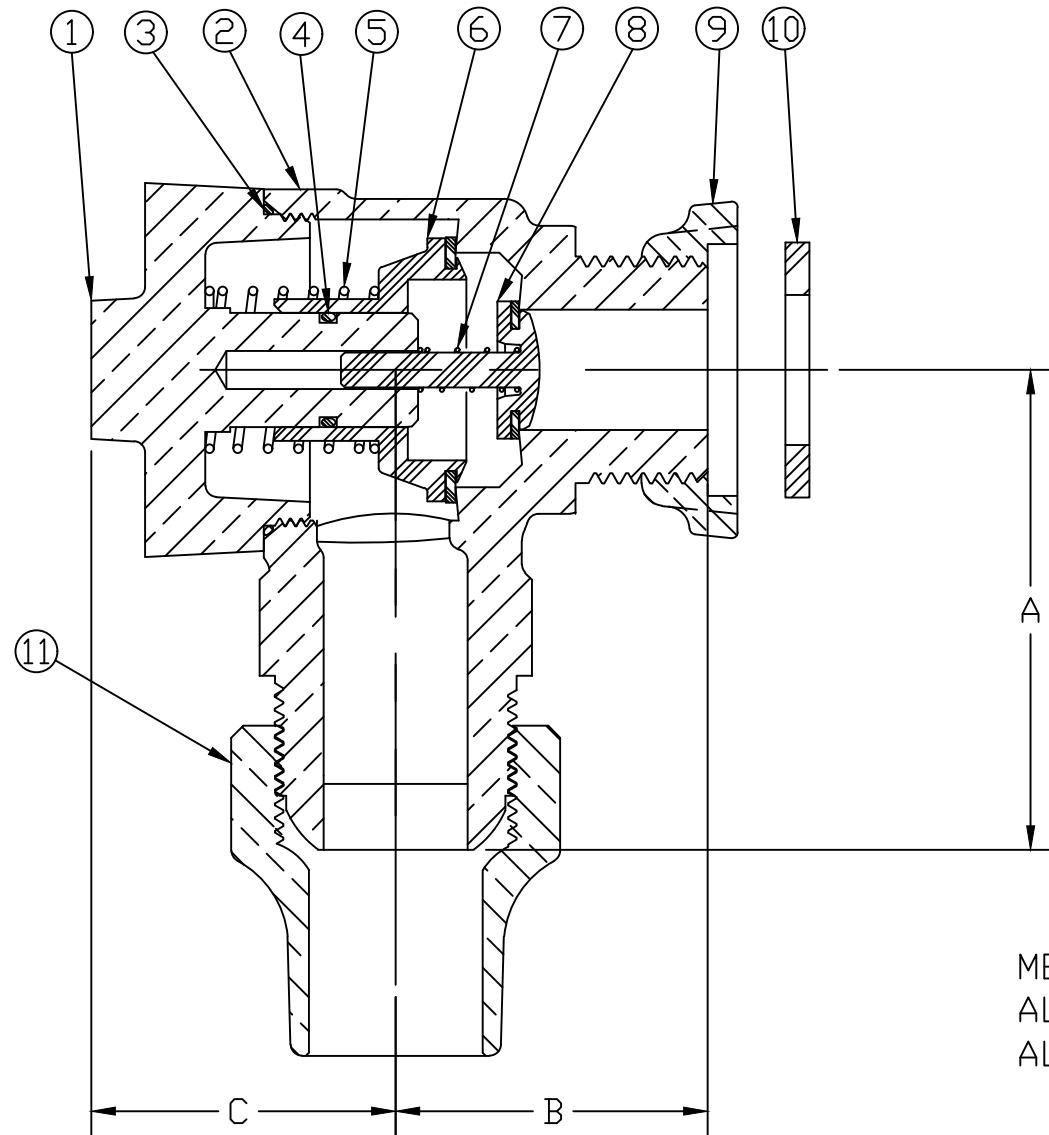


No.	DESCRIPTION	MATERIAL
1	CAP	LEAD FREE BRASS ALLOY ASTM B584
2	BODY	LEAD FREE BRASS ALLOY ASTM B584
3	O-RING	EPDM D2000
4	O-RING	EPDM D2000
5	SPRING	302 STAINLESS STEEL
6	POPPET ASS'Y	CELCON (M270) EPDM (D2000)
7	SPRING	302 STAINLESS STEEL
8	POPPET ASS'Y	CELCON (M270) EPDM (D2000)
9	LOCKNUT	CAST BRASS ALLOY ASTM B584
10	GASKET	NITRILE D2000
11	COPPER TUBE NUT	CAST BRASS ALLOY ASTM B584



METER CONNX SIZE	A	B	C
5/8 x 3/4	2.50	1.62	1.58
5/8 x 3/4 X 3/4			

MEETS ALL REQUIREMENTS OF AWWA C800
 ALL WETTED PARTS ARE LEAD FREE BRASS ALLOY C89833/C87850
 ALL NON WETTED PARTS ARE BRASS ALLOY C83600/C87850

DRFTR	AD	02/09/23	MUELLER	
CHKR				
ENGR			UNLESS OTHERWISE NOTED SURFACE PREPARATION: BREAK CORNER(S) ---- .000 SURFACE FINISH -- XX RMS	THIRD ANGLE PROJECTION
MGR				TOLERANCE(S): LINEAR ----- ± .000 ANGULAR ----- ± 0°00'
STK No:				FULL
MAT'L:				
DESCR.			ANGLE CHECK VALVE (METER BAR x CS) (ASSE)	DWG NUMBER H14246AN

TITLE TO AND OWNERSHIP OF THIS ENGINEERING DATA REMAINS IN Mueller Co. NO USE IS TO BE MADE OF THIS DATA EXCEPT AS SPECIFICALLY AUTHORIZED BY Mueller Co. ASSENT ON THE PART OF THE RECIPIENT TO THESE CONDITIONS IS PRESUMED

DWG NUMBER
H14246AN