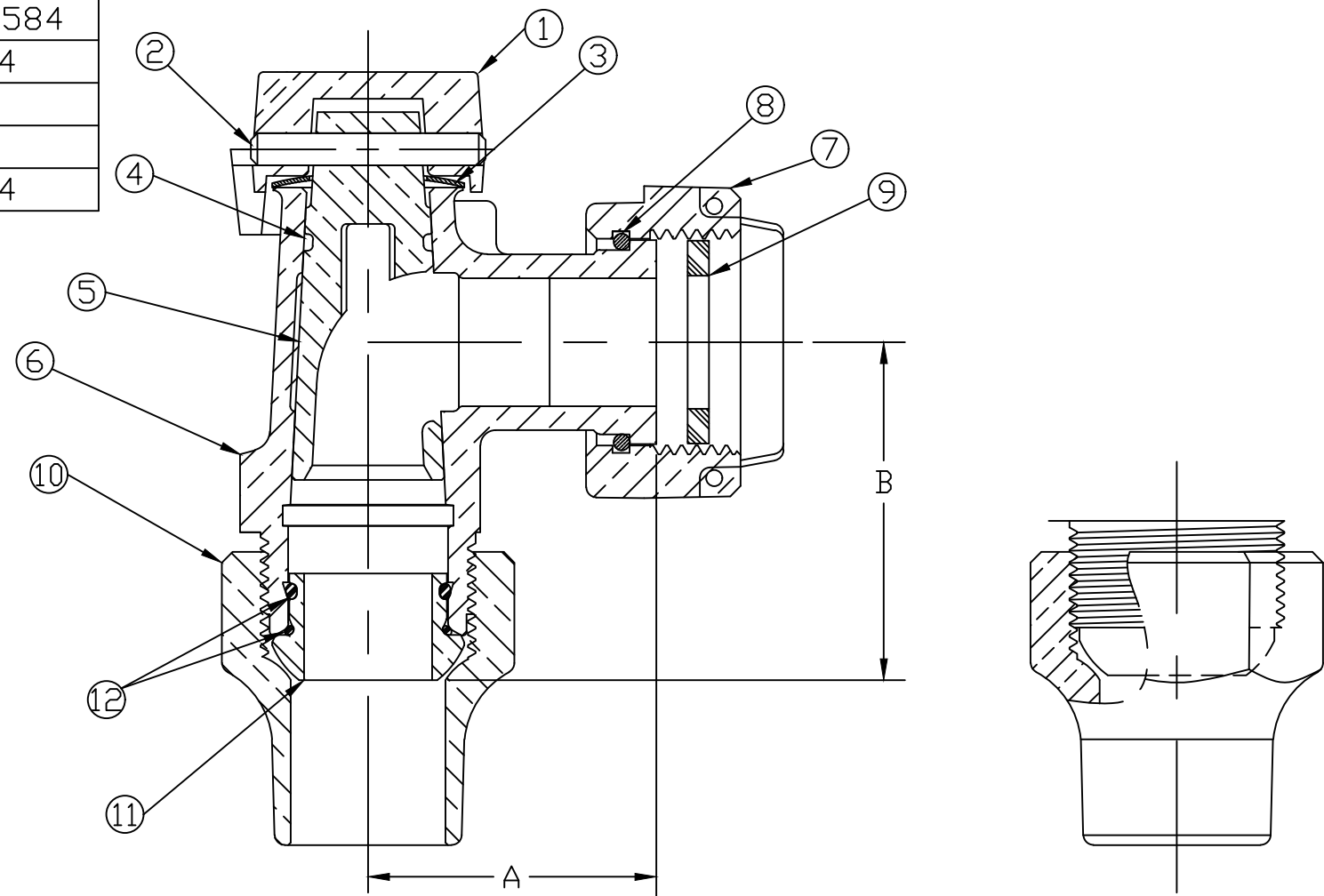


No.	DESCRIPTION	MATERIAL	No.	DESCRIPTION	MATERIAL
1	KEY CAP	CAST BRASS ALLOY ASTM B584	11	SWIVEL BUSHING	LEAD FREE BRASS ALLOY ASTM B584
2	PIN	BRASS ASTM B16 ALLOY C36000	12	O-RING	EPDM ASTM D2000
3	SPRING WASHER	PHOS BRONZE			
4	O-RING	EPDM ASTM D2000			
5	KEY	LEAD FREE BRASS ALLOY ASTM B584			
6	BODY	LEAD FREE BRASS ALLOY ASTM B584			
7	SADDLE NUT	CAST BRASS ALLOY ASTM B584			
8	SNAP RING	PHOS BRONZE			
9	RUBBER GASKET	NITRILE ASTM D2000			
10	TUBE NUT	CAST BRASS ALLOY ASTM B584			

METER CONNX SIZE	A	B
5/8 x 3/4	1-11/16"	1-63/64"
5/8 x 3/4 x 3/4	1-11/16"	1-63/64"
* 5/8 x 3/4 x 1	1-11/16"	1-29/32"
1	1-15/16"	2-23/64"



MEETS ALL REQUIREMENTS OF AWWA C800
 ALL WETTED PARTS ARE LEAD FREE BRASS ALLOY C89833/C87850
 ALL NON WETTED PARTS ARE BRASS ALLOY C83600/C87850

DWG NUMBER
H14255N

TITLE TO AND OWNERSHIP OF THIS ENGINEERING
 DATA REMAINS IN Mueller Co. NO USE IS TO BE
 MADE OF THIS DATA EXCEPT AS SPECIFICALLY
 AUTHORIZED BY Mueller Co. ASSENT ON THE PART
 OF THE RECIPIENT TO THESE CONDITIONS IS PRESUMED

DRFTR	AD	02/10/23	MUELLER	
CHKR				
ENGR			UNLESS OTHERWISE NOTED	THIRD ANGLE PROJECTION
MGR				SURFACE PREPARATION: BREAK CORNER(S) ---- .000 SURFACE FINISH -- XX RMS
	BY	DATE	TOLERANCE(S): LINEAR ----- ± .000 ANGULAR ----- ± 0°00'	FULL
STK No:				
MAT'L:				
DESCR.			ANGLE METER STOP (CS x MTR)	
			DWG NUMBER H14255N	