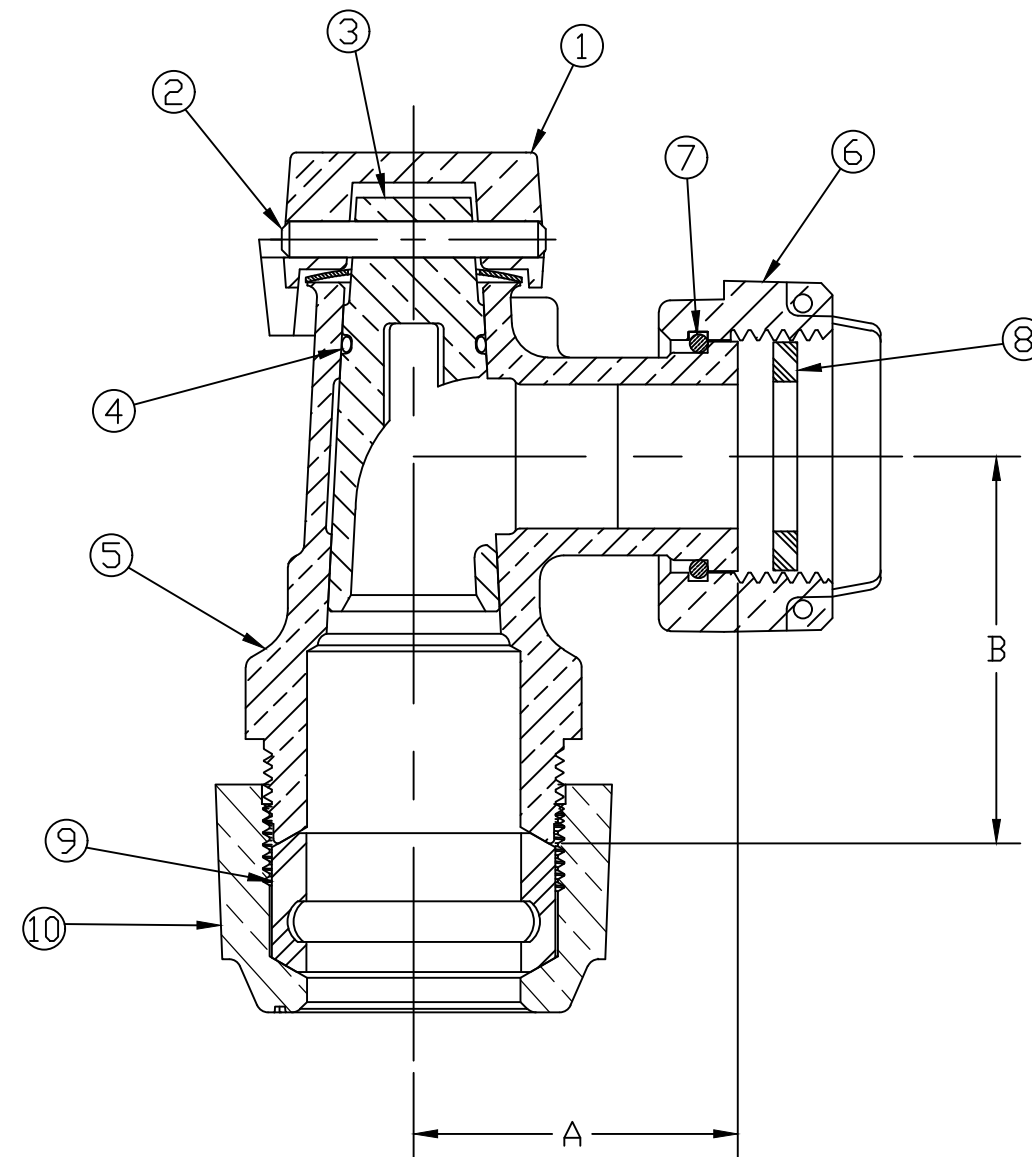


No.	DESCRIPTION	MATERIAL
1	CAP	CAST BRASS ALLOY ASTM B584
2	SOLID PIN	LEAD FREE BRASS ALLOY ASTM B584
3	STEM	LEAD FREE BRASS ALLOY ASTM B584
4	O-RING	EPDM ASTM D2000
5	BODY	LEAD FREE BRASS ALLOY ASTM B584
6	SADDLE NUT	CAST BRASS ALLOY ASTM B584
7	SNAP RING	PHOS BRONZE
8	RUBBER GASKET	NITRILE ASTM D2000
9	PE GASKET	BUNA N ASTM D2000
10	CONN NUT	CAST BRASS ALLOY ASTM B584

SIZE	A	B
5/8 x 3/4 x 3/4	1.69	2.02
1	1.94	2.03



MEETS ALL REQUIREMENTS OF AWWA C800  
 ALL WETTED PARTS ARE LEAD FREE BRASS ALLOY C89833/C87850  
 ALL NON WETTED PARTS ARE BRASS ALLOY C83600/C87850

DWG NUMBER  
H14259N

DRFTR	AD	03/15/23	<b>MUELLER</b>		
CHKR					
ENGR			UNLESS OTHERWISE NOTED SURFACE PREPARATION: BREAK CORNER(S) ----- .000 SURFACE FINISH -- XX RMS	THIRD ANGLE PROJECTION	
MGR				REF. No.	SCALE
	BY	DATE	TOLERANCE(S): LINEAR ----- ± .000 ANGULAR ----- ± 0°00'		NONE
STK No:			MAT'L:		
DESCR.			ANGLE METER VALVE (110 IPS x MTR)		DWG NUMBER H14259N

TITLE TO AND OWNERSHIP OF THIS ENGINEERING DATA REMAINS IN Mueller Co. NO USE IS TO BE MADE OF THIS DATA EXCEPT AS SPECIFICALLY AUTHORIZED BY Mueller Co. ASSENT ON THE PART OF THE RECIPIENT TO THESE CONDITIONS IS PRESUMED