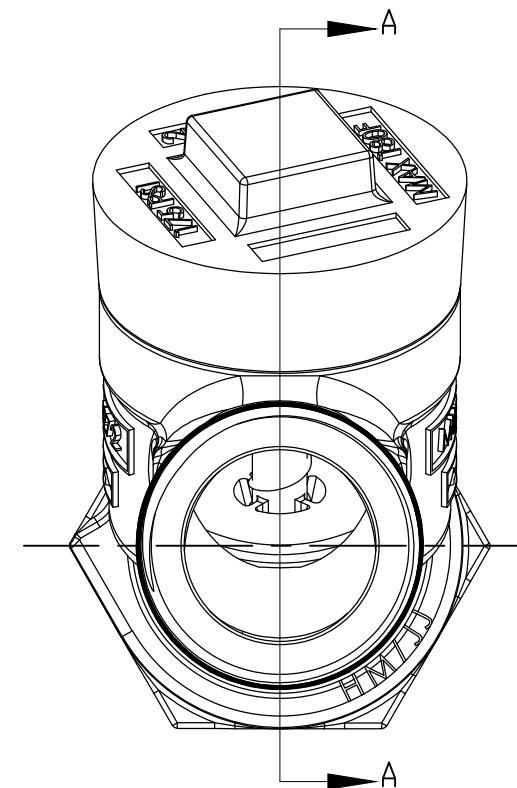
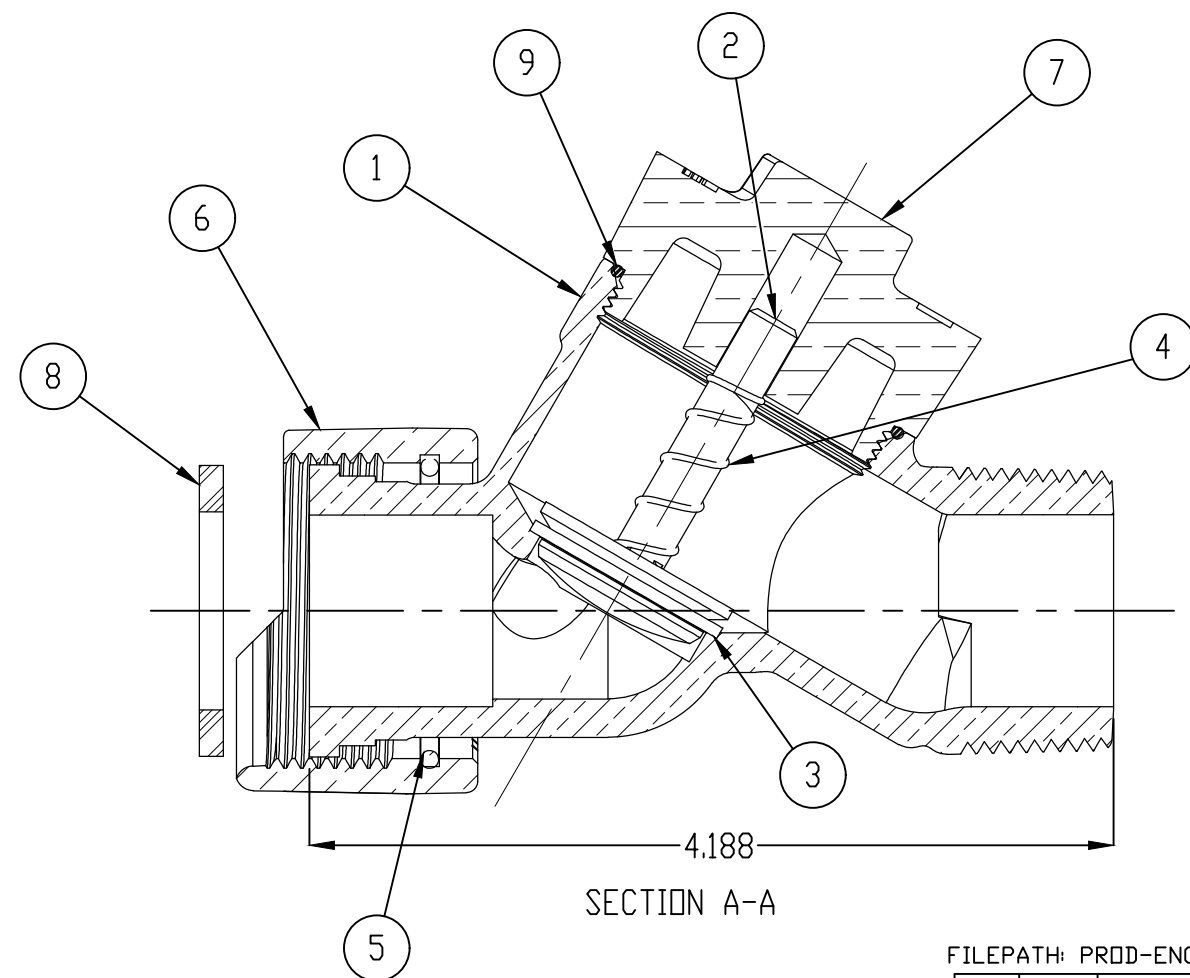
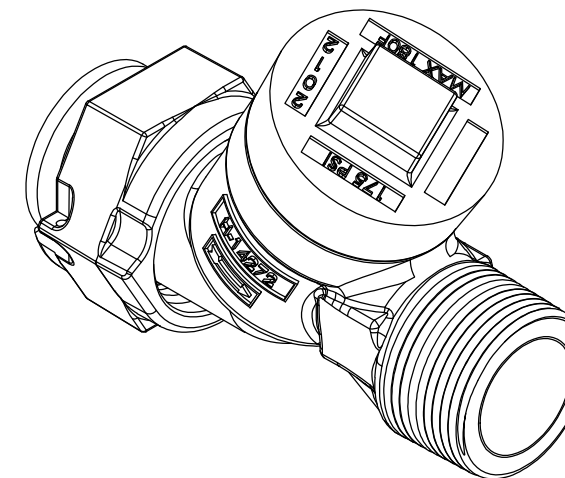


ITEM NO.	DESCRIPTION	MATERIAL
1	BODY	CAST LOW LEAD BRASS ALLOY
2	POPPET	CELCON GRADE M90-04
3	POPPET FACING	RUBBER ASTM D2000
4	SPRING	STAINLESS STEEL ASTM A313 TYPE 302
5	SNAP RING	BRASS ASTM B134 CDA 521
6	METER NUT	CAST BRASS ASTM B62 ALLOY C83600
7	1" SINGLE CHECK CAP	CAST LOW LEAD BRASS ALLOY
8	RUBBER GASKET	RUBBER ASTM D2000
9	O-RING	RUBBER ASTM D2000

SIZE	DIM "A"
5/8"x3/4"x3/4"	4.202
1"	4.188



FILEPATH: PROD-ENG\MUELLER\APPROVED\SOLIDWORKS\H1427201N

REV	ECR	DESCRIPTION	DATE	BY	CHKR

DRFTR: RWB 7/28/14  
 CHKR:   
 ENGR:   
 MGR:   
 BY:   
 DATE:   
 STK No:   
 MAT'L:   
 DESCR:



UNLESS OTHERWISE NOTED  
 SURFACE PREPARATION:  
 BREAK CORNER(S) ---- .000  
 SURFACE FINISH -- XX RMS  
 TOLERANCE(S):  
 LINEAR ----- ± .000  
 ANGULAR ----- ± 0°00'

THIRD ANGLE PROJECTION

REF. No.      SCALE  
 FULL

DWG NUMBER  
 H1427201N  
 80

TITLE TO AND OWNERSHIP OF THIS ENGINEERING  
 DATA REMAINS IN Mueller Co. NO USE IS TO BE  
 MADE OF THIS DATA EXCEPT AS SPECIFICALLY  
 AUTHORIZED BY Mueller Co. ASSENT ON THE PART  
 OF THE RECIPIENT TO THESE CONDITIONS IS PRESUMED

PER EST NO: DXXXX      WEIGHT:

DESCR:      DWG NUMBER  
 INLINE LLB CHECK VALVE ASSEMBLY      H1427201N