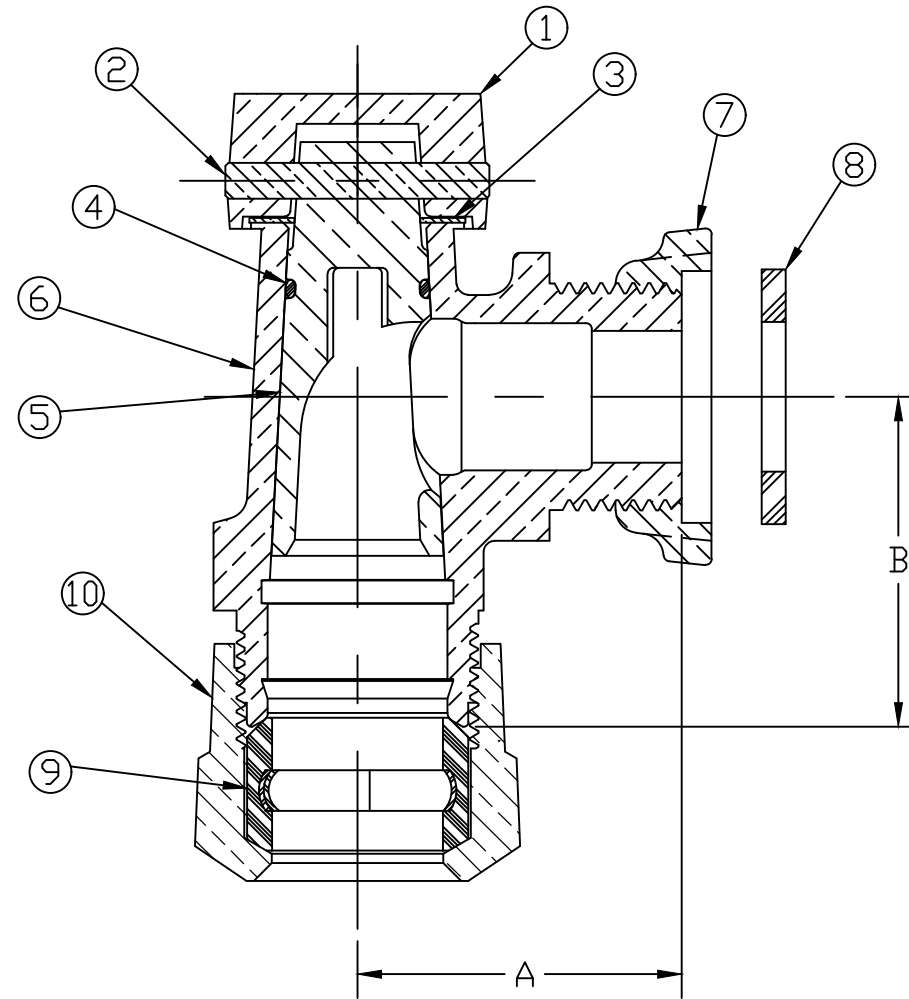


No.	DESCRIPTION	MATERIAL	No.	DESCRIPTION	MATERIAL
1	KEY CAP	CAST BRASS ALLOY ASTM B584	7	LOCK NUT	CAST BRASS ALLOY ASTM B584
2	PIN	BRASS ASTM B16 ALLOY C36000	8	RUBBER GASKET	NITRILE ASTM D2000
3	SPRING WASHER	PHOS BRONZE	9	GASKET	ASTM D2000 (SBR)&410 STAINLESS STL
4	O-RING	EPDM ASTM D2000	10	CONN NUT	CAST BRASS ALLOY ASTM B584
5	KEY	LEAD FREE BRASS ALLOY ASTM B584			
6	BODY	LEAD FREE BRASS ALLOY ASTM B584			

METER CONNX SIZE	A	B
5/8 x 3/4	1.69	1.72
5/8 x 3/4 x 3/4	1.69	1.72
5/8 x 3/4 1	1.69	1.97
1	2.06	3.66
1-1/4 x 1	2.06	3.69



MEETS ALL REQUIREMENTS OF AWWA C800
 ALL WETTED PARTS ARE LEAD FREE BRASS ALLOY C89833/C87850
 ALL NON WETTED PARTS ARE BRASS ALLOY C83600/C87850

DRFTR	AD	02/09/23	MUELLER	
CHKR				
ENGR			UNLESS OTHERWISE NOTED SURFACE PREPARATION: BREAK CORNER(S) ----- .000 SURFACE FINISH -- XX RMS	THIRD ANGLE PROJECTION
MGR				TOLERANCE(S): LINEAR ----- ± .000 ANGULAR ----- ± 0°00'
	BY	DATE		SCALE
				FULL
STK No:				
MAT'L:				
DESCR.	ANGLE METER STOP 110CTS x IRON STOP			DWG NUMBER
				H14273N

DWG NUMBER
H14273N

TITLE TO AND OWNERSHIP OF THIS ENGINEERING
 DATA REMAINS IN Mueller Co. NO USE IS TO BE
 MADE OF THIS DATA EXCEPT AS SPECIFICALLY
 AUTHORIZED BY Mueller Co. ASSENT ON THE PART
 OF THE RECIPIENT TO THESE CONDITIONS IS PRESUMED