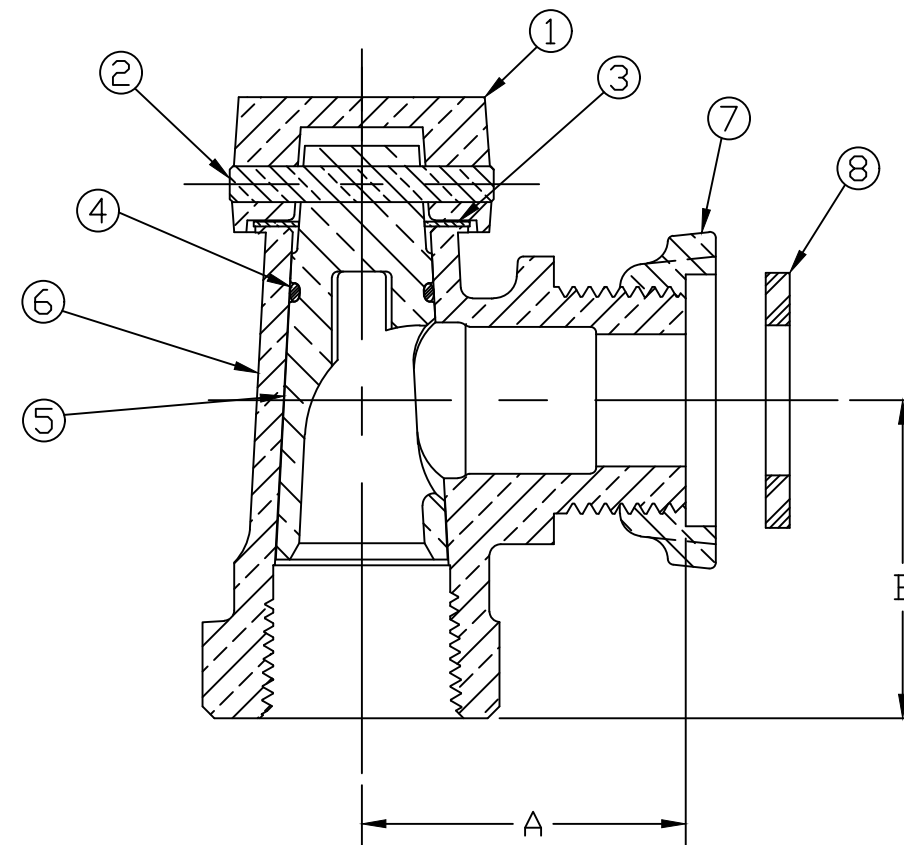


No.	DESCRIPTION	MATERIAL
1	KEY CAP	CAST BRASS ALLOY ASTM B584
2	PIN	BRASS ASTM B16 ALLOY C36000
3	SPRING WASHER	PHOS BRONZE
4	O-RING	EPDM ASTM D2000
5	KEY	LEAD FREE BRASS ALLOY ASTM B584
6	BODY	LEAD FREE BRASS ALLOY ASTM B584
7	LOCK NUT	CAST BRASS ALLOY ASTM B584
8	RUBBER GASKET	NITRILE ASTM D2000



METER CONNX SIZE	A	B
5/8 x 3/4	1.688	1.656
5/8 x 3/4 x 3/4	1.688	1.656
1	2.062	2.031

MEETS ALL REQUIREMENTS OF AWWA C800  
 ALL WETTED PARTS ARE LEAD FREE BRASS ALLOY C89833/C87850  
 ALL NON WETTED PARTS ARE BRASS ALLOY C83600/C87850

DWG NUMBER  
H14278N

TITLE TO AND OWNERSHIP OF THIS ENGINEERING  
 DATA REMAINS IN Mueller Co. NO USE IS TO BE  
 MADE OF THIS DATA EXCEPT AS SPECIFICALLY  
 AUTHORIZED BY Mueller Co. ASSENT ON THE PART  
 OF THE RECIPIENT TO THESE CONDITIONS IS PRESUMED

DRFTR	AD	02/09/23	<b>MUELLER</b>	
CHKR				
ENGR			UNLESS OTHERWISE NOTED SURFACE PREPARATION: BREAK CORNER(S) ----- .000 SURFACE FINISH -- XX RMS	THIRD ANGLE PROJECTION 
MGR				TOLERANCE(S): LINEAR ----- ± .000 ANGULAR ----- ± 0°00'
	BY	DATE		SCALE FULL
STK No:				
MAT'L:				
DESCR.			ANGLE METER STOP FIP x IRON BAR	
			DWG NUMBER H14278N	