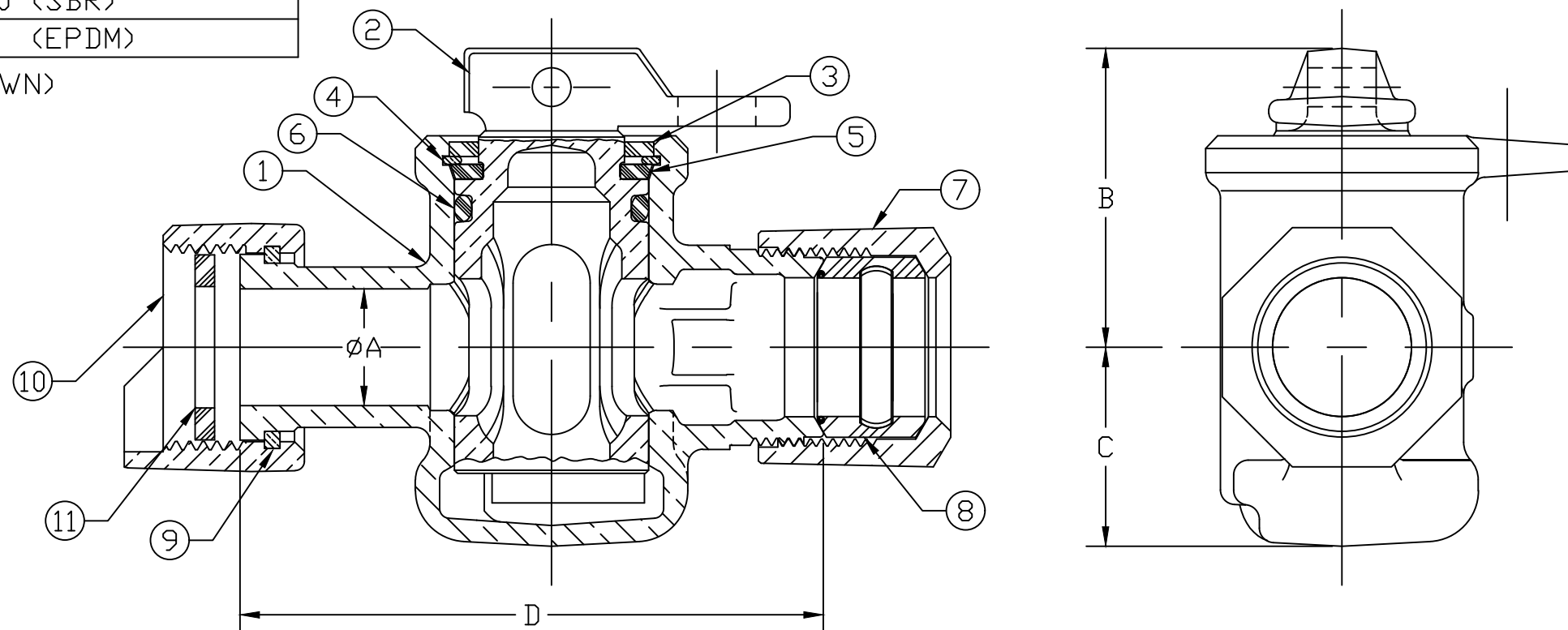


ITEM	DESCRIPTION	MATERIAL DESCRIPTION
1	BODY	CAST NO LEAD BRASS ALLOY
2	KEY	CAST NO LEAD BRASS ALLOY
3	TOP SEAL	ASTM D2000 (NITRILE)
4	RETAINING RING	BRONZE ASTM B103 ALLOY C52100
5	THRUST WASHER	CELCON M90
6	O-RING	ASTM D2000 (EP)
7	CONNX NUT	CAST BRASS ASTM B62 ALLOY C83600
8	GASKET	ASTM D2000 (SBR)
9	SNAP RING	COPPER ALLOY WIRE CDA 521
10	SADDLE NUT	CAST BRASS ASTM B62 ALLOY C83600
11	RUBBER GSKT	ASTM D2000 (SBR)
*	O-RING	ASTM D2000 (EPDM)

* - PORT ORING ON KEY (NOT SHOWN)

SIZE	ØA	B	C	D
3/4	.75	1.92	1.25	3.74
1	1.00	2.09	1.42	4.12



ALL WETTED PARTS ARE NO LEAD BRASS ALLOY

FILEPATH: PROD-ENG\MUELLER\ASYSUBMITTALS\H14350N

DRFTR	JGarvin	6/21/12	MUELLER		
CHKR					
ENGR					
MGR					
			UNLESS OTHERWISE NOTED	THIRD ANGLE PROJECTION	
			SURFACE PREPARATION:		
			BREAK CORNER(S) ---- .000		
			SURFACE FINISH -- XX RMS	REF. No.	
			TOLERANCE(S):	SCALE	
			LINEAR ----- ± .000	NONE	
			ANGULAR ----- ± 0°00'		
			STK No:		
			MAT'L:		
			DESCR.		
			LOCKWING NLB METER VALVE	DWG NUMBER	
			(MTR x 110 CTS)	H14350N	
REV	ECR	DESCRIPTION	DATE	BY	CHKR
PER EST NO: DXXXX EST FIN WT = 0.0000 lbs					

DWG NUMBER
H14350N
442-MRKTG

TITLE TO AND OWNERSHIP OF THIS ENGINEERING DATA REMAINS IN Mueller Co. NO USE IS TO BE MADE OF THIS DATA EXCEPT AS SPECIFICALLY AUTHORIZED BY Mueller Co. ASSENT ON THE PART OF THE RECIPIENT TO THESE CONDITIONS IS PRESUMED