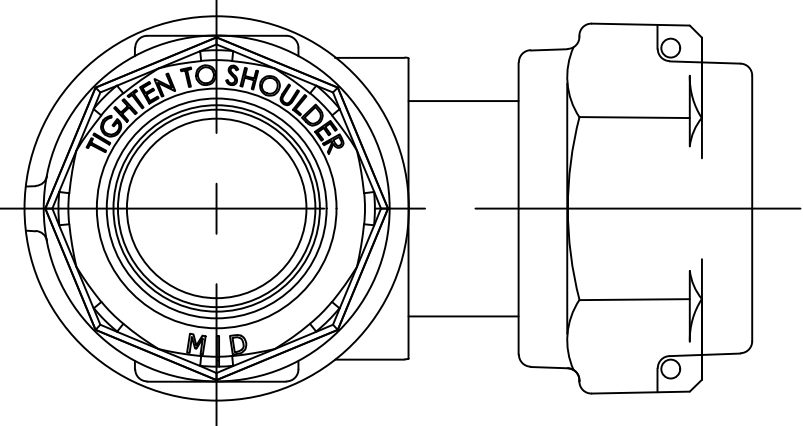
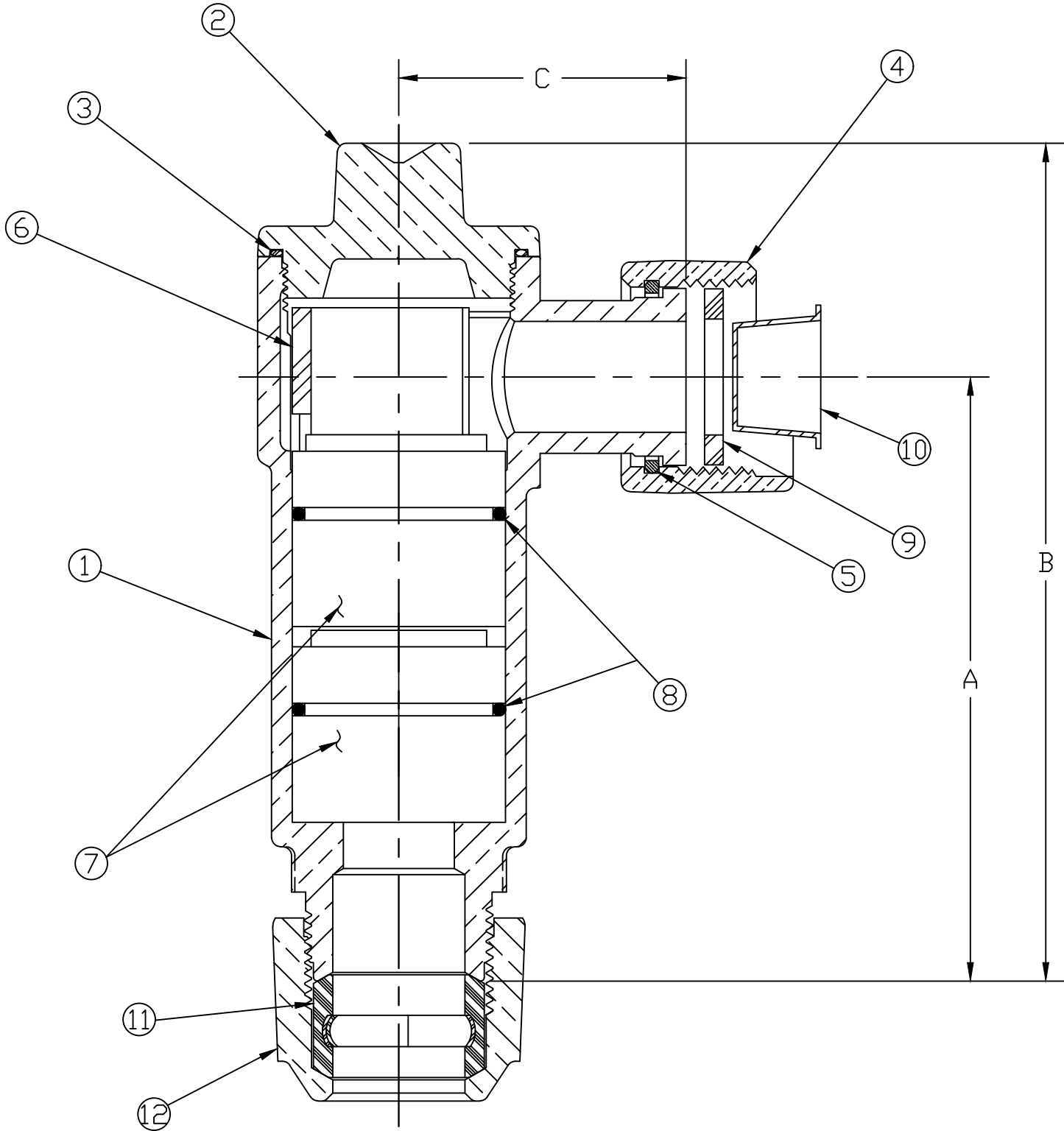
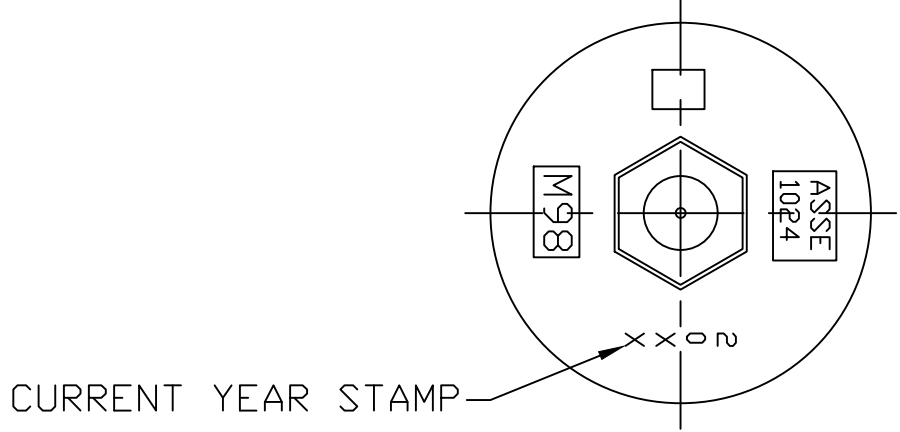


PART NUMBER  
H14462AN

SIZE	A	B	C
5/8" x 3/4"	4.09	5.67	1.94
1"	4.51	6.45	2.35



NO.	QTY.	DESCRIPTION	MATERIAL
1	1	BODY	LEAD FREE BRASS ALLOY ASTM B584
2	1	CAP	LEAD FREE BRASS ALLOY ASTM B584
3	1	O-RING	EPDM D2000
4	1	SADDLE NUT	CAST BRASS ALLOY ASTM B584
5	1	SNAP RING	COPPER ALLOY CDA 521
6	1	LINER	CELCON M-90
7	2	POPPET ASS'Y	CELCON M270-GSKT EPDM ASTM D2000-SPRING 302 SS WIRE
8	2	O-RING	EPDM D2000
9	1	WASHER	NITRILE D2000
10	1	CAPLUG	POLYETHYLENE PLASTIC
11	1	GSKT SUB	SBR D2000 GSKT 401 SS BAND
12	1	CONN NUT	CAST BRASS ALLOY ASTM B584

MEETS ALL REQUIREMENTS OF AWWA C800  
 ALL WETTED PARTS ARE LEAD FREE BRASS ALLOY C89833/C87850  
 ALL NON WETTED PARTS ARE BRASS ALLOY C83600/C87850

DRFTR	AD	02/09/23	<b>MUELLER</b>	THIRD ANGLE PROJECTION 
CHKR				
ENGR				
MGR				
UNLESS OTHERWISE NOTED			REF. No.	SCALE
SURFACE PREPARATION:				
BREAK CORNER(S) ---- .000				
SURFACE FINISH -- XX RMS				
TOLERANCE(S):				
LINEAR ----- ± .000				
ANGULAR ----- ± 0°00'				
STK No:				
MAT'L:				

TITLE TO AND OWNERSHIP OF THIS ENGINEERING DATA REMAINS IN Mueller Co. NO USE IS TO BE MADE OF THIS DATA EXCEPT AS SPECIFICALLY AUTHORIZED BY Mueller Co. ASSENT ON THE PART OF THE RECIPIENT TO THESE CONDITIONS IS PRESUMED

DESCR. M-98 5/8" x 3/4" AND 1" DUAL CHECK ANGLE METER ASSE APPROVED VALVE ASSEMBLY (MTR x CTS 110)  
 PART NUMBER H14462AN