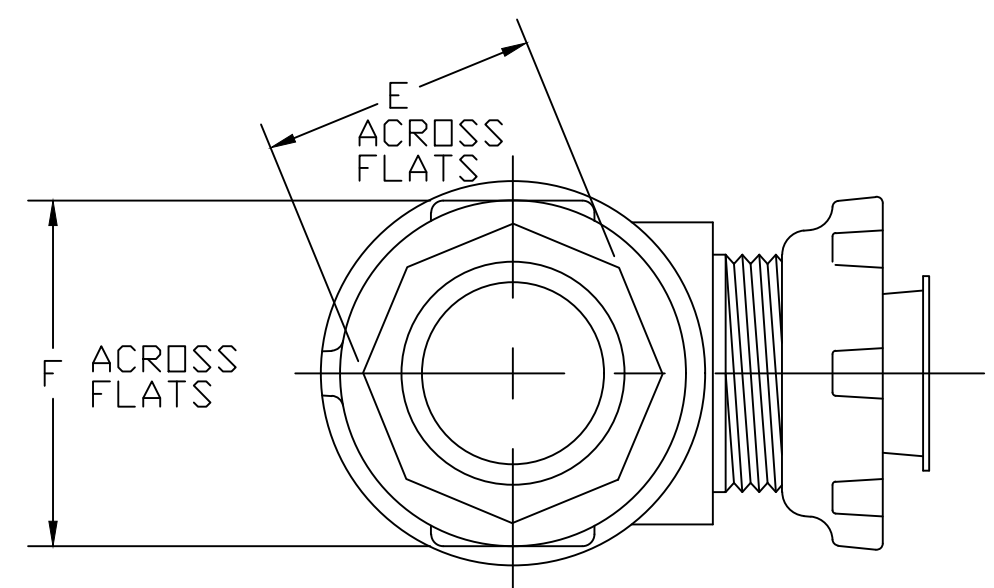
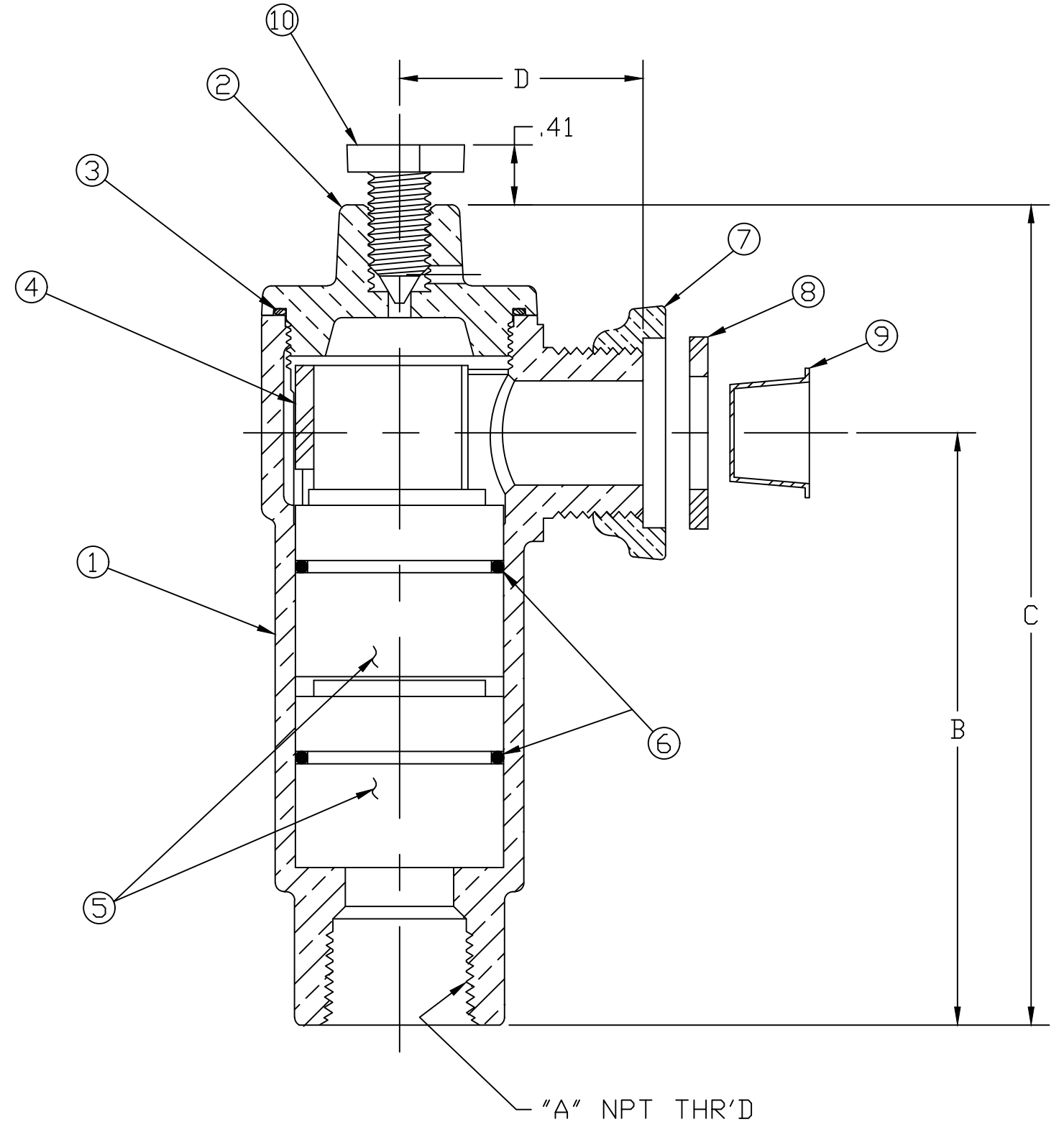


DWG NUMBER  
H1446405AN

SIZE	"A" NPT THR'D	B	C	D	E	F
5/8x3/4x3/4	3/4-14 NPT.	4.09	5.67	1.68	1.38	1.72
1"	1-11 1/2 NPT.	4.51	6.45	2.21	1.69	2.28

NO.	DESCRIPTION	MATERIAL
1	BODY	CAST NO LEAD BRASS ALLOY
2	CAP	CAST NO LEAD BRASS ALLOY
3	O-RING	EPDM D2000
4	LINER	CELCON M-90
5	POPPET ASS'Y	SEE ASS'Y DWG.
6	O-RING	EPDM D2000
7	LOCK NUT	CAST BRASS ASTM B62 ALLOY C83600
8	RUBBER GSKT.	NITRILE D2000
9	CAPLUG	POLYETHYLENE PLASTIC
10	DRAIN PIN	CAST NO LEAD BRASS ALLOY



ALL WETTED PARTS ARE NO LEAD BRASS ALLOY  
FILEPATH: PROD-ENG\MUELLER\APPROVED\H1446405AN

DRFTR	RWB	6/23/21	<b>MUELLER</b>	UNLESS OTHERWISE NOTED THIRD ANGLE PROJECTION
CHKR				
ENGR				
MGR				
BY	DATE		REF. No.	SCALE
STK No:				NDNE
MAT'L:			DESCR.	
M-98 5/8"x3/4"x3/4" AND 1"			DUAL CHECK NLB ANGLE METER ASSE APP'D	
PER EST NO: DXXXX EST FIN WT = 0.0000 lbs			VALVE ASSEMBLY W/ DRAIN PIN (IRON BAR x FIP)	
DWG NUMBER			H1446405AN	

TITLE TO AND OWNERSHIP OF THIS ENGINEERING DATA REMAINS IN Mueller Co. NO USE IS TO BE MADE OF THIS DATA EXCEPT AS SPECIFICALLY AUTHORIZED BY Mueller Co. ASSENT ON THE PART OF THE RECIPIENT TO THESE CONDITIONS IS PRESUMED