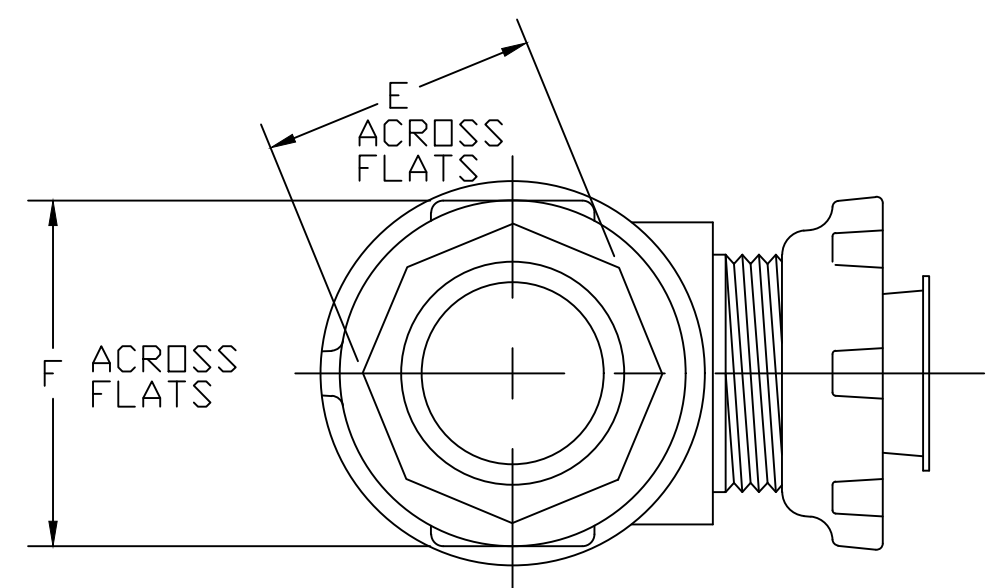
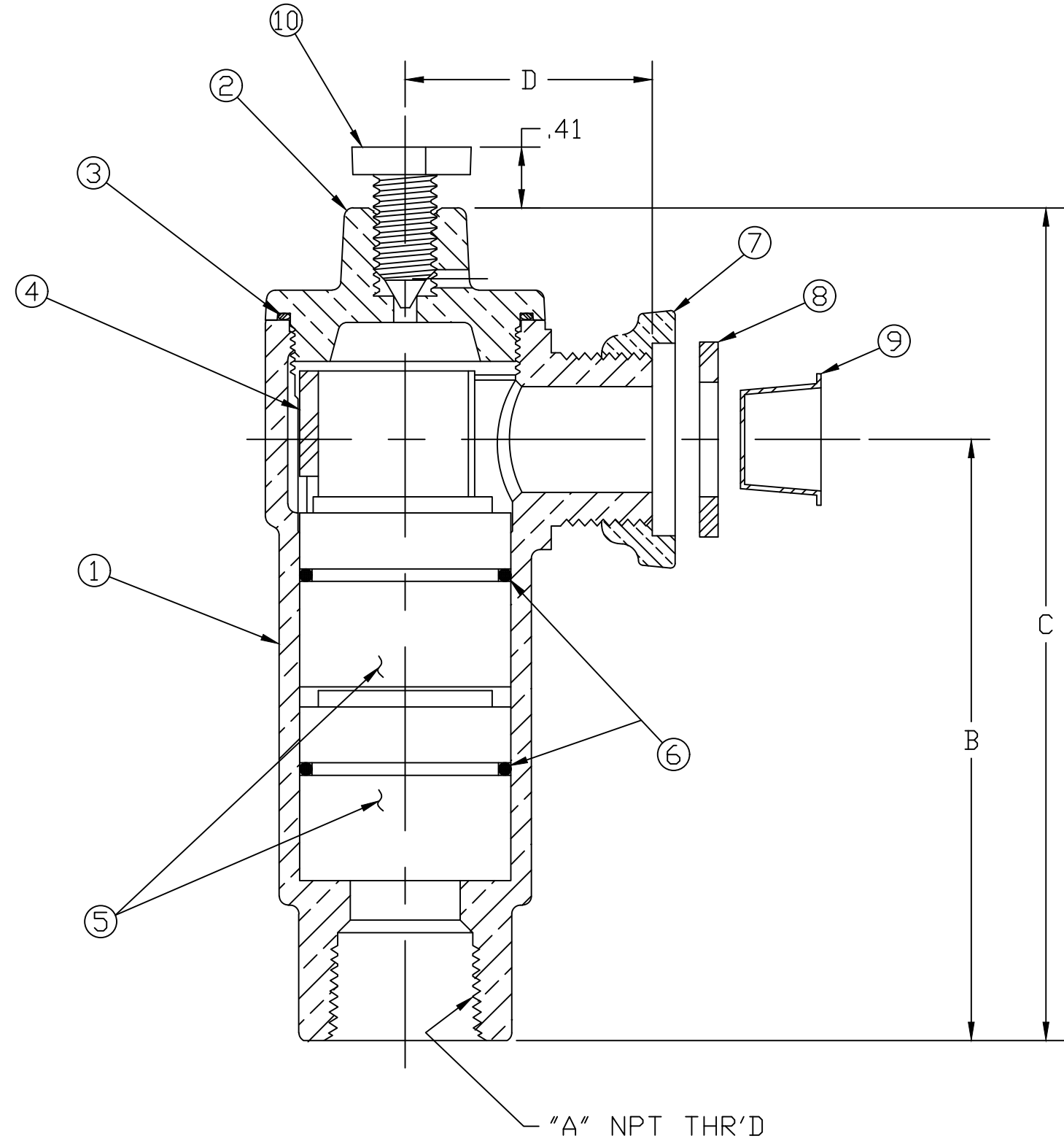


DWG NUMBER  
H1446405AN

SIZE	"A" NPT THR'D	B	C	D	E	F
5/8x3/4x3/4	3/4-14 NPT.	4.09	5.67	1.68	1.38	1.72
1"	1-11 1/2 NPT.	4.51	6.45	2.21	1.69	2.28

NO.	DESCRIPTION	MATERIAL
1	BODY	LEAD FREE BRASS ALLOY ASTM B584
2	CAP	LEAD FREE BRASS ALLOY ASTM B584
3	O-RING	EPDM D2000
4	LINER	CELCON M-90
5	POPPET ASS'Y	SEE ASS'Y DWG.
6	O-RING	EPDM D2000
7	LOCK NUT	CAST BRASS ALLOY ASTM B584
8	RUBBER GSKT.	NITRILE D2000
9	CAPLUG	POLYETHYLENE PLASTIC
10	DRAIN PIN	LEAD FREE BRASS ALLOY ASTM B584



MEETS ALL REQUIREMENTS OF AWWA C800  
ALL WETTED PARTS ARE LEAD FREE BRASS ALLOY C89833/C87850  
ALL NON WETTED PARTS ARE BRASS ALLOY C83600/C87850

DRFTR	AD	02/08/23	<b>MUELLER</b>	THIRD ANGLE PROJECTION 
CHKR				
ENGR				
MGR				
UNLESS OTHERWISE NOTED			REF. No.	SCALE NONE
SURFACE PREPARATION:				
BREAK CORNER(S) ---- .000				
SURFACE FINISH -- 000 RMS				
TOLERANCE(S):			LINEAR ----- ± .000	ANGULAR ----- ± 0°00'
BY				
DATE				
STK No:			MAT'L:	

TITLE TO AND OWNERSHIP OF THIS ENGINEERING DATA REMAINS IN Mueller Co. NO USE IS TO BE MADE OF THIS DATA EXCEPT AS SPECIFICALLY AUTHORIZED BY Mueller Co. ASSENT ON THE PART OF THE RECIPIENT TO THESE CONDITIONS IS PRESUMED	DESCR.	M-98 5/8"x3/4"x3/4" AND 1" DUAL CHECK ANGLE METER ASSE APP'D VALVE ASSEMBLY W/ DRAIN PIN (IRON BAR x FIP)	DWG NUMBER H1446405AN
---	--------	---	--------------------------