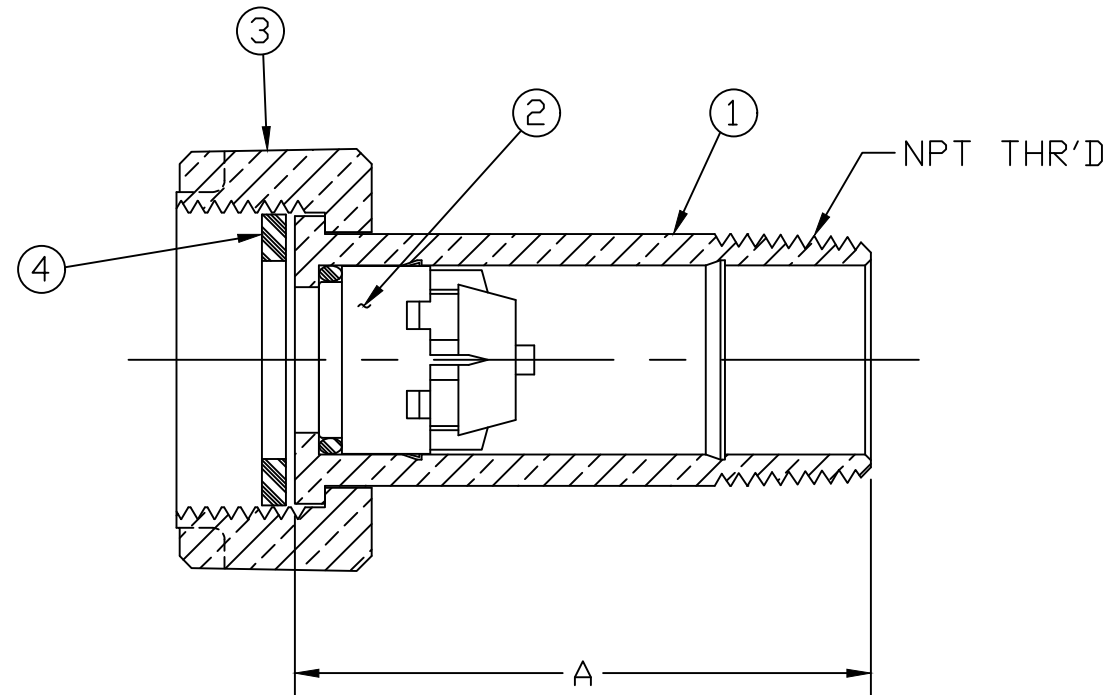


No.	DESCRIPTION	MATERIAL
1	TAILPIECE	LEAD FREE BRASS ALLOY ASTM B584
2	CHECK W/ O-RING	CELCON M90/EPDM D2000
3	METER NUT	CAST BRASS ALLOY ASTM B584
4	GASKET	NITRILE D2000



SIZE	A	NPT SIZE
3/4	1.50	3/4
3/4	2.00	
3/4	2.500	
3/4	3.00	1
1	2.00	
1	3.00	

MEETS ALL REQUIREMENTS OF AWWA C800
 ALL WETTED PARTS ARE LEAD FREE BRASS ALLOY C89833/C87850
 ALL NON WETTED PARTS ARE BRASS ALLOY C83600/C87850

DWG NUMBER
H14480N

TITLE TO AND OWNERSHIP OF THIS ENGINEERING
 DATA REMAINS IN Mueller Co. NO USE IS TO BE
 MADE OF THIS DATA EXCEPT AS SPECIFICALLY
 AUTHORIZED BY Mueller Co. ASSENT ON THE PART
 OF THE RECIPIENT TO THESE CONDITIONS IS PRESUMED

DRFTR	AD	03/15/23	MUELLER	
CHKR				
ENGR			UNLESS OTHERWISE NOTED SURFACE PREPARATION: BREAK CORNER(S) ---- .000 SURFACE FINISH -- XX RMS	THIRD ANGLE PROJECTION
MGR				TOLERANCE(S): LINEAR ----- ± .000 ANGULAR ----- ± 0°00'
BY		DATE	STK No:	
MAT'L:			DESCR.	
			5/8" x 3/4" x 3/4" & 1" INLINE SINGLE CHECK VALVE ASSEMBLY	
			DWG NUMBER H14480N	