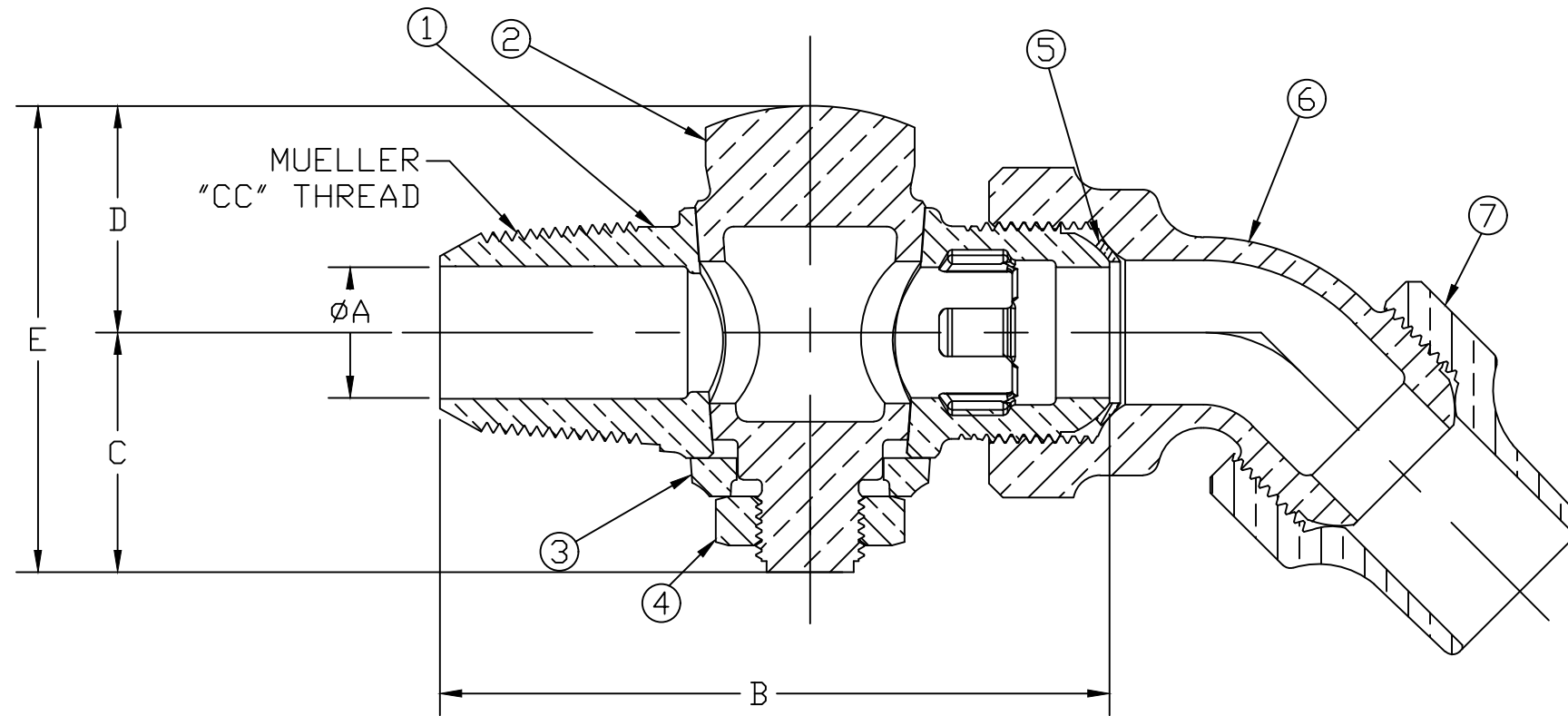


No.	DESCRIPTION	MATERIAL
1	BODY	CAST LOW LEAD BRASS ALLOY
2	KEY	CAST LOW LEAD BRASS ALLOY
3	KEY WASHER	CAST BRASS ASTM B62 ALLOY C83600
4	KEY NUT	CAST BRASS ASTM B62 ALLOY C83600
5	COPPER GASKET	COPPER SHEET ASTM B152 UNS C11000
6	SPUD	CAST LOW LEAD BRASS ALLOY
7	NUT	CAST LOW LEAD BRASS ALLOY

SIZE	ØA	B	C	D	E
3/4"	.75	3.84	1.38	1.30	2.68
1"	.92	4.61	1.46	1.41	2.87
1-1/2"	1.48	6.36	2.68	2.16	4.84
2"	1.97	7.53	2.48	2.36	4.84



ALL WETTED PARTS ARE LOW LEAD BRASS ALLOY

FILEPATH: PROD-ENG\MUELLER\ASYSUBMITTALS\H15010N

						DRFTR	RWB	6/26/14	MUELLER	UNLESS OTHERWISE NOTED THIRD ANGLE PROJECTION SURFACE PREPARATION: BREAK CORNER(S) ---- .000 SURFACE FINISH -- XX RMS TOLERANCE(S): LINEAR ----- ± .000 ANGULAR ----- ± 0°00'	REF. No.	SCALE FULL
						CHKR						
						ENGR						
						MGR						
									BY	DATE		
									STK No:			
									MAT'L:			
									DESCR.	CORPORATION STOP LLB (CC THR'D x EIGHTH BEND CS)		DWG NUMBER H15010N
									PER EST NO: DXXXX EST FIN WT = 0.0000 lbs			

DWG NUMBER
H15010N
442-MRKTG

TITLE TO AND OWNERSHIP OF THIS ENGINEERING DATA REMAINS IN Mueller Co. NO USE IS TO BE MADE OF THIS DATA EXCEPT AS SPECIFICALLY AUTHORIZED BY Mueller Co. ASSENT ON THE PART OF THE RECIPIENT TO THESE CONDITIONS IS PRESUMED