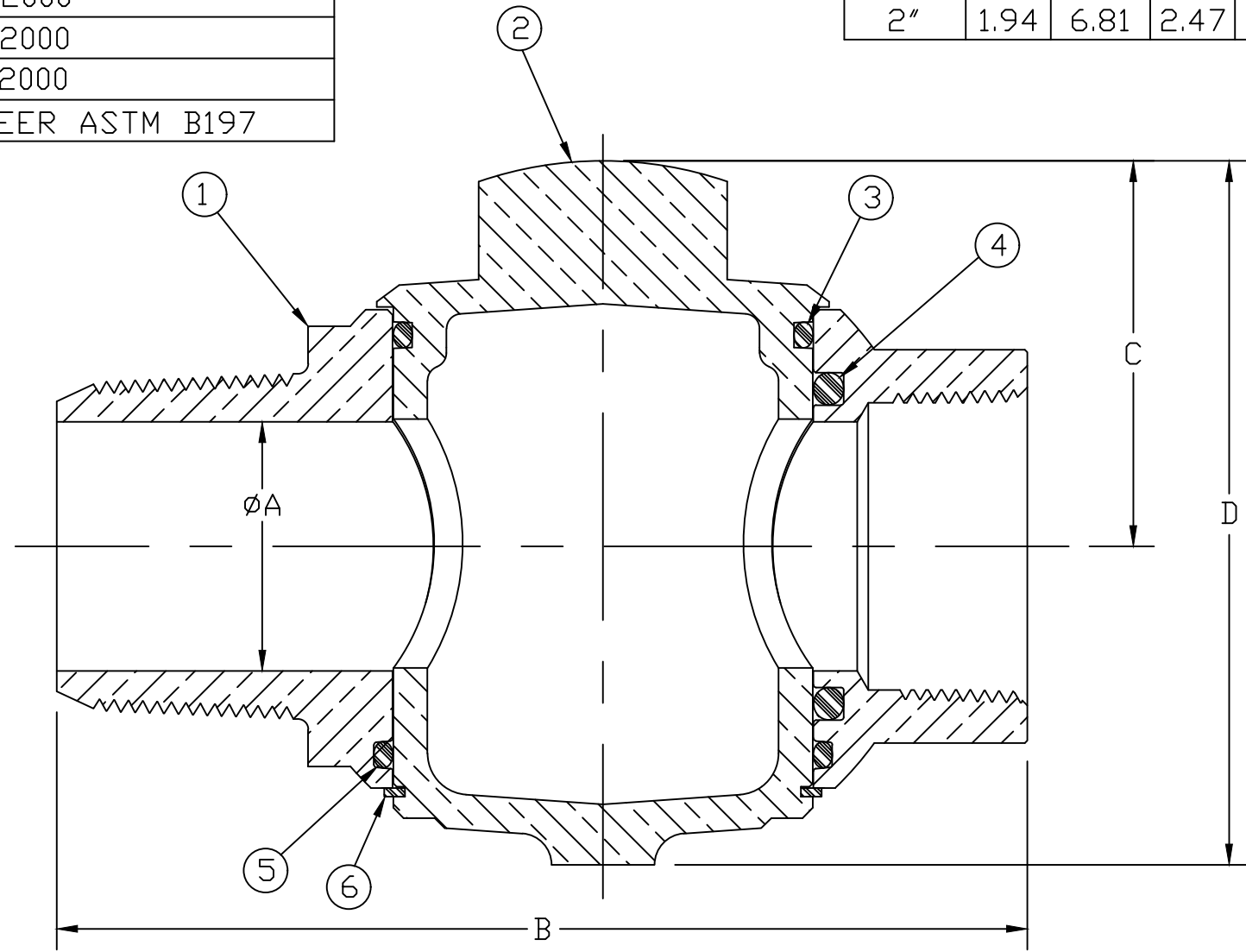


No.	DESCRIPTION	DESCRIPTION
1	BODY	CAST LOW LEAD BRASS ALLOY
2	KEY	CAST LOW LEAD BRASS ALLOY
3	ORING	EPDM D2000
4	ORING	EPDM D2000
5	ORING	EPDM D2000
6	RETAINING RING	BERYLLIUM COPPER ASTM B197

SIZE	ØA	B	C	D	KEY HEAD
1-1/2"	1.50	5.86	2.32	4.25	.56 x 1.50
2"	1.94	6.81	2.47	4.58	.62 x 1.75



ALL WETTED PARTS ARE LOW LEAD BRASS ALLOY

FILEPATH: PROD-ENG\MUELLER\ASYSUBMITTALS\H15014N

						DRFTR	RWB	8/27/18	<b>Mueller Co.</b>						
						CHKR									
						ENGR									
						MGR									
									UNLESS OTHERWISE NOTED	THIRD ANGLE PROJECTION					
									SURFACE PREPARATION:						
									BREAK CORNER(S) ---- .000						
									SURFACE FINISH -- XX RMS	REF. No.	SCALE				
									TOLERANCE(S):		FULL				
									LINEAR ----- ± .000						
									ANGULAR ----- ± 0°00'						
									BY	DATE					
									STK No:						
									MAT'L:						
									DESCR.	ORISEAL LLB CORPORATION VALVE (CC TAPER x FIP)					
									REV	ECR	DESCRIPTION	DATE	BY	CHKR	DWG NUMBER
									PER EST NO: DXXXX	EST FIN WT = 0.0000 lbs				H15014N	

DWG NUMBER  
H15014N  
442-MRKTG

TITLE TO AND OWNERSHIP OF THIS ENGINEERING DATA REMAINS IN Mueller Co. NO USE IS TO BE MADE OF THIS DATA EXCEPT AS SPECIFICALLY AUTHORIZED BY Mueller Co. ASSENT ON THE PART OF THE RECIPIENT TO THESE CONDITIONS IS PRESUMED