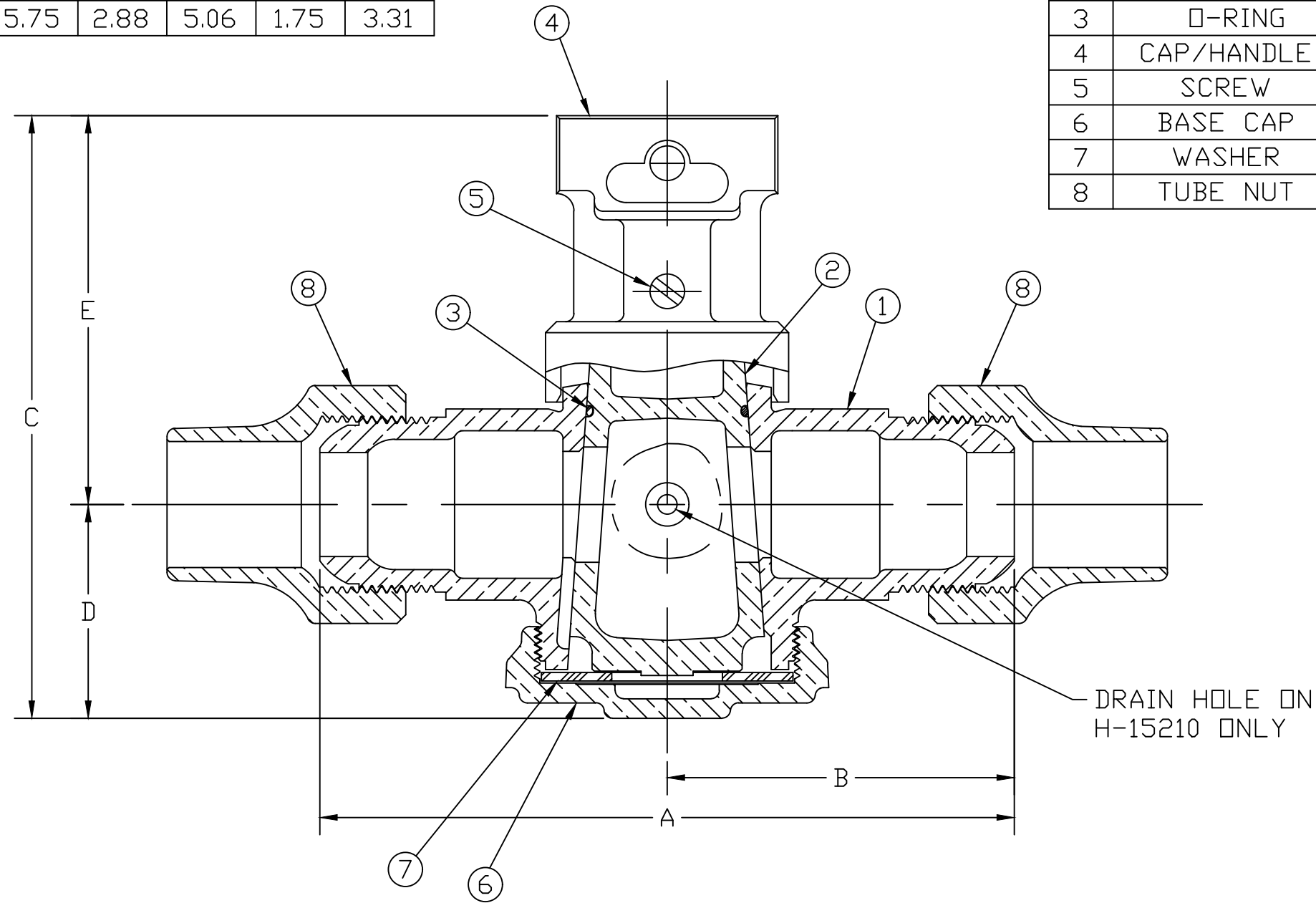


SIZE	A	B	C	D	E
1/2	4.38	2.19	3.78	1.31	2.47
3/4	5.00	2.50	4.34	1.54	2.80
1	5.75	2.88	5.06	1.75	3.31

No.	DESCRIPTION	MATERIAL
1	BODY	LEAD FREE BRASS ALLOY ASTM B584
2	KEY	LEAD FREE BRASS ALLOY ASTM B584
3	O-RING	RUBBER, ASTM D-2000 (EPDM)
4	CAP/HANDLE	CAST BRASS ALLOY ASTM B584
5	SCREW	BRASS ASTM B16 ALLOY C36000
6	BASE CAP	LEAD FREE BRASS ALLOY ASTM B584
7	WASHER	POLYETHYLENE KP 701
8	TUBE NUT	CAST BRASS ALLOY ASTM B584



MEETS ALL REQUIREMENTS OF AWWA C800
 ALL WETTED PARTS ARE LEAD FREE BRASS ALLOY C89833/C87850
 ALL NON WETTED PARTS ARE BRASS ALLOY C83600/C87850

DRFTR	AD	02/06/23	MUELLER	
CHKR				
ENGR			UNLESS OTHERWISE NOTED	THIRD ANGLE PROJECTION
MGR				SURFACE PREPARATION: BREAK CORNER(S) ---- .000 SURFACE FINISH -- XX RMS TOLERANCE(S): LINEAR ----- ± .000 ANGULAR ----- ± 0°00'
	BY	DATE	REF. No.	SCALE
STK No:				FULL
MAT'L:	DESCR.			DWG NUMBER
	INVERTED KEY CURB STOP			H15200N
	CS x CS			

DWG NUMBER
H15200N

TITLE TO AND OWNERSHIP OF THIS ENGINEERING DATA REMAINS IN Mueller Co. NO USE IS TO BE MADE OF THIS DATA EXCEPT AS SPECIFICALLY AUTHORIZED BY Mueller Co. ASSENT ON THE PART OF THE RECIPIENT TO THESE CONDITIONS IS PRESUMED