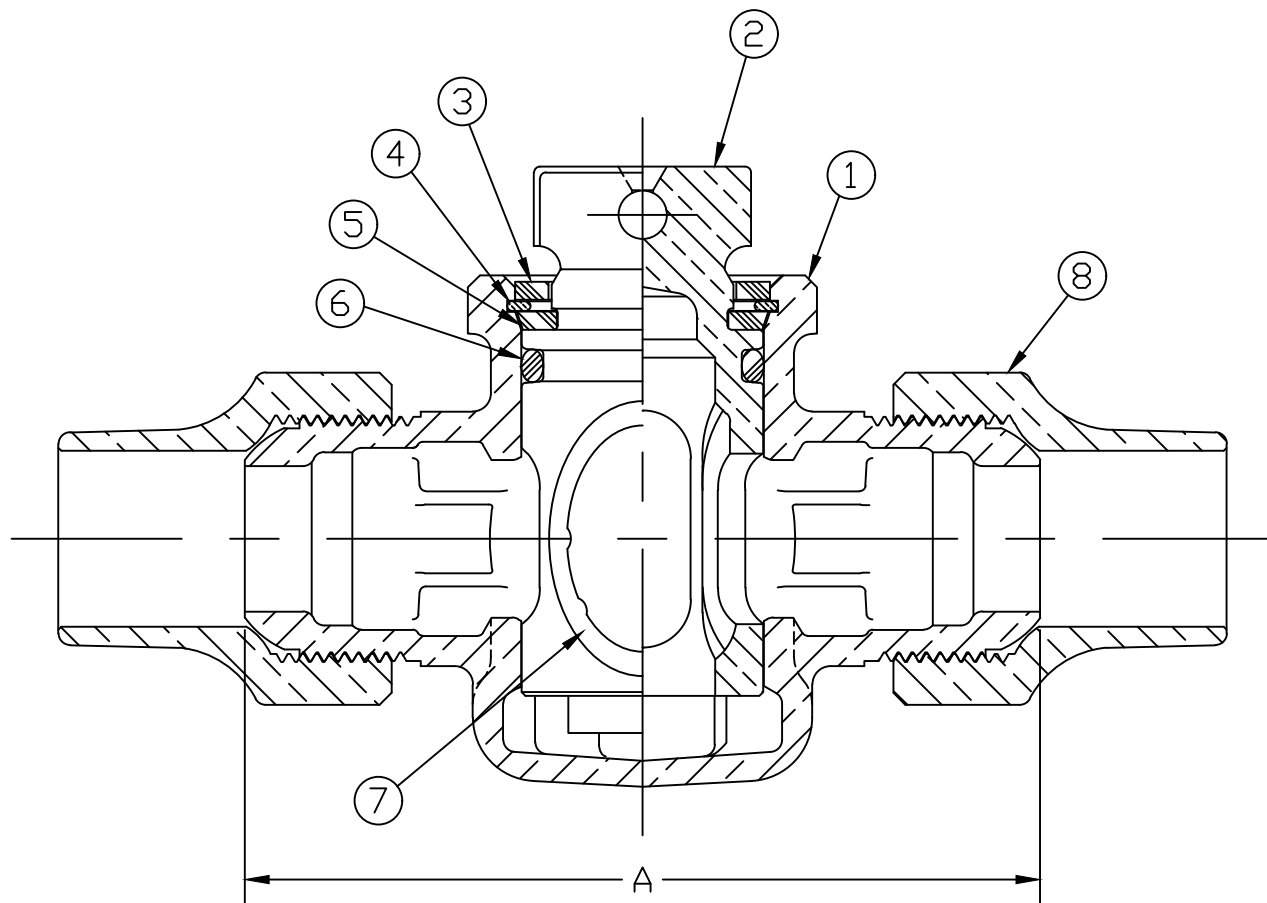
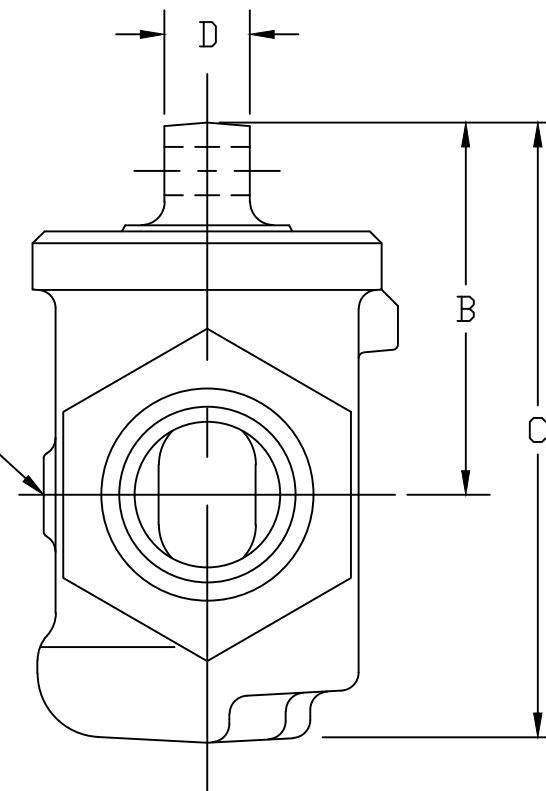


SIZE	A	B	C	D
3/4	4.10	1.92	3.17	.44
1	5.34	2.44	4.00	.44
1-1/4	6.59	2.64	4.38	.53
1-1/2	7.16	3.42	5.52	.53
2	8.84	3.70	6.05	.56

No.	QTY.	DESCRIPTION	MATERIAL
1	1	BODY	LEAD FREE BRASS ALLOY ASTM B584
2	1	KEY	LEAD FREE BRASS ALLOY ASTM B584
3	1	TOP SEAL	RUBBER, MUELLER RUBBER CODE R8
4	1	RETAINING RING	BRONZE ASTM B103 ALLOY C52100
5	1	THRUST WASHER	CELCON GRADE M90 CF2001
6	1	TOP O-RING	RUBBER, ASTM D-2000 (EPDM)
7	1	PORT O-RING	RUBBER, ASTM D-2000 (EPDM)
8	2	TUBE NUT	CAST BRASS ALLOY ASTM B584



DRAIN HOLE ON  
H-15214N ONLY



MEETS ALL REQUIREMENTS OF AWWA C800  
ALL WETTED PARTS ARE LEAD FREE BRASS ALLOY C89833/C87850  
ALL NON WETTED PARTS ARE BRASS ALLOY C83600/C87850

DWG NUMBER  
H15204N

TITLE TO AND OWNERSHIP OF THIS ENGINEERING  
DATA REMAINS IN Mueller Co. NO USE IS TO BE  
MADE OF THIS DATA EXCEPT AS SPECIFICALLY  
AUTHORIZED BY Mueller Co. ASSENT ON THE PART  
OF THE RECIPIENT TO THESE CONDITIONS IS PRESUMED

DRFTR	AD	02/08/23	<b>MUELLER</b>	
CHKR				
ENGR			UNLESS OTHERWISE NOTED	THIRD ANGLE PROJECTION
MGR				
			SURFACE PREPARATION: BREAK CORNER(S) ---- .000	REF. No.
			SURFACE FINISH -- XX RMS	
	BY	DATE	TOLERANCE(S): LINEAR ----- ± .016	FULL
			ANGULAR ----- ± 0°30'	
STK No:				
MAT'L:				
DESCR.			MARK II DRISEAL VALVE	
			CS × CS	
			DWG NUMBER	
			H15204N	