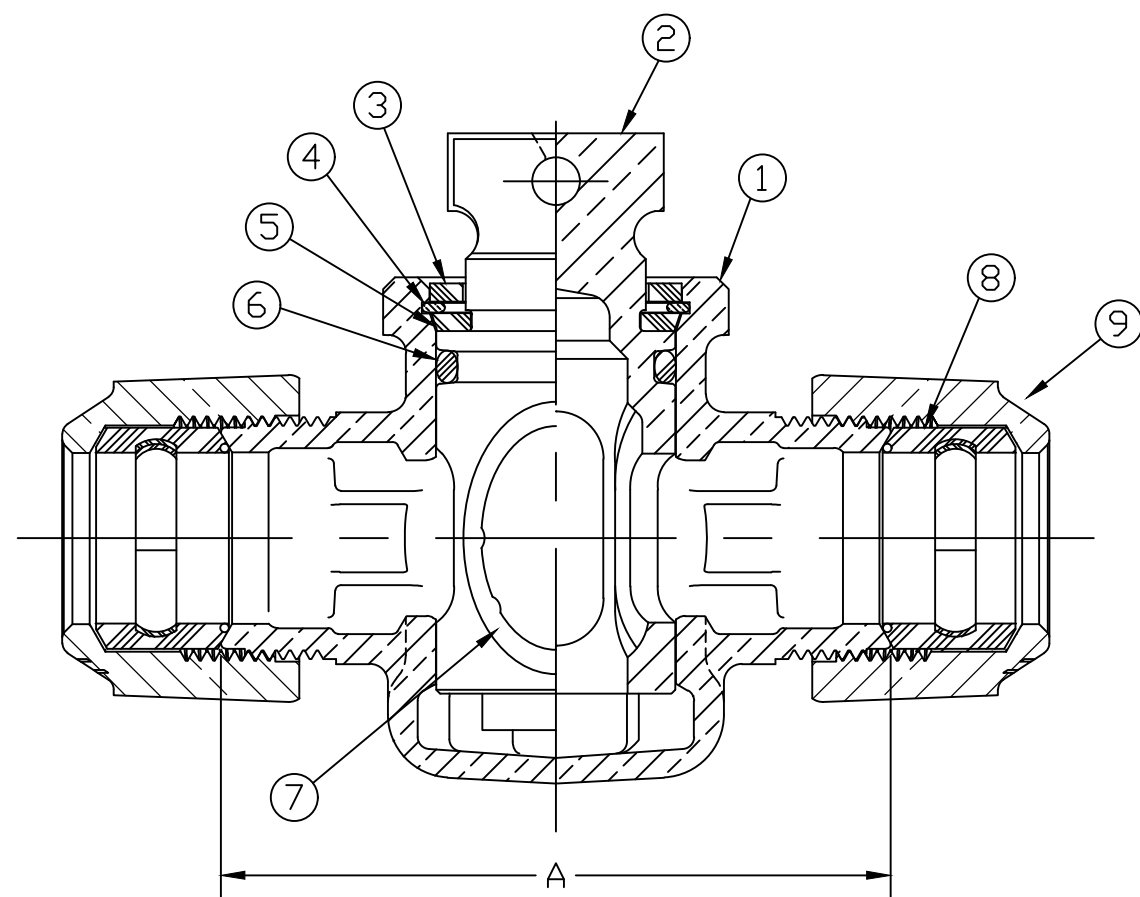


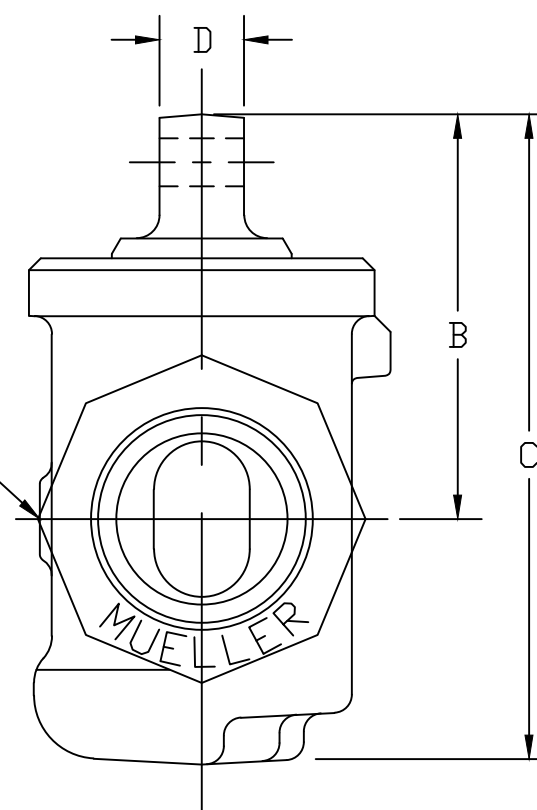
SIZE	A	B	C	D
3/4"	3.49	2.11	3.36	.44

No.	QTY.	DESCRIPTION	MATERIAL
1	1	BODY	LEAD FREE BRASS ALLOY ASTM B584
2	1	KEY	LEAD FREE BRASS ALLOY ASTM B584
3	1	TOP SEAL	RUBBER, MUELLER RUBBER CODE R8
4	1	RETAINING RING	BRONZE ASTM B103 ALLOY C52100
5	1	THRUST WASHER	CELCON GRADE M90 CF2001
6	1	TOP O-RING	RUBBER, ASTM D-2000 (EPDM)
7	1	PORT O-RING	RUBBER, ASTM D-2000 (EPDM)
8	2	CTS GSKT SUB	SBR D2000 - GSKT 410ss - BAND
9	2	CONN. NUT	CAST BRASS ALLOY ASTM B584

LUBE PER MUELLER ESP E-95 }



DRAIN HOLE ON H-1521906N ONLY



DWG NUMBER
H1520906N

TITLE TO AND OWNERSHIP OF THIS ENGINEERING DATA REMAINS IN Mueller Co. NO USE IS TO BE MADE OF THIS DATA EXCEPT AS SPECIFICALLY AUTHORIZED BY Mueller Co. ASSENT ON THE PART OF THE RECIPIENT TO THESE CONDITIONS IS PRESUMED

DRFTR	AD	02/07/23	MUELLER	
CHKR				
ENGR			UNLESS OTHERWISE NOTED SURFACE PREPARATION: BREAK CORNER(S) ---- .000 SURFACE FINISH -- XX RMS	THIRD ANGLE PROJECTION
MGR				REF. No.
	BY	DATE	TOLERANCE(S): LINEAR ----- ± .016 ANGULAR ----- ± 0°30'	FULL
STK No:			DESCR.	
MAT'L:			MARK II ORISEAL VALVE (PHASE III) CTS 110 x CTS 110	
			DWG NUMBER H1520906N	