

6 5 4 3 2 1

D

D

C

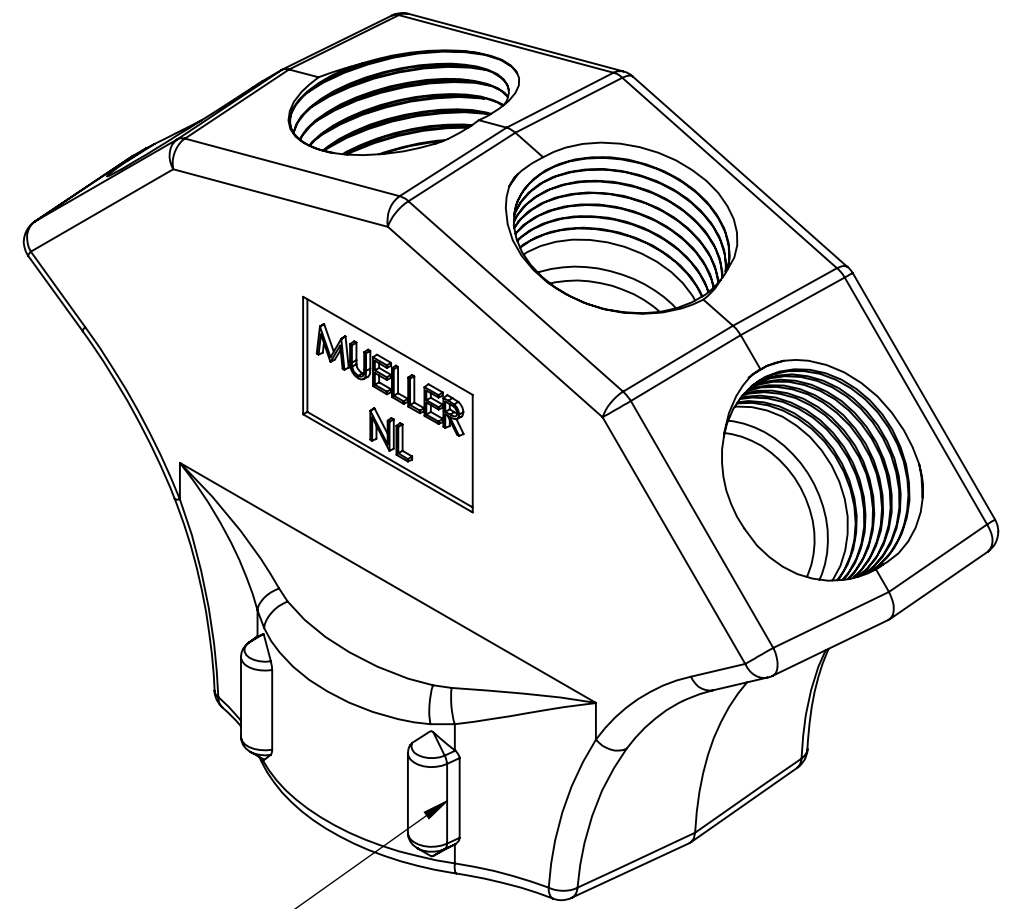
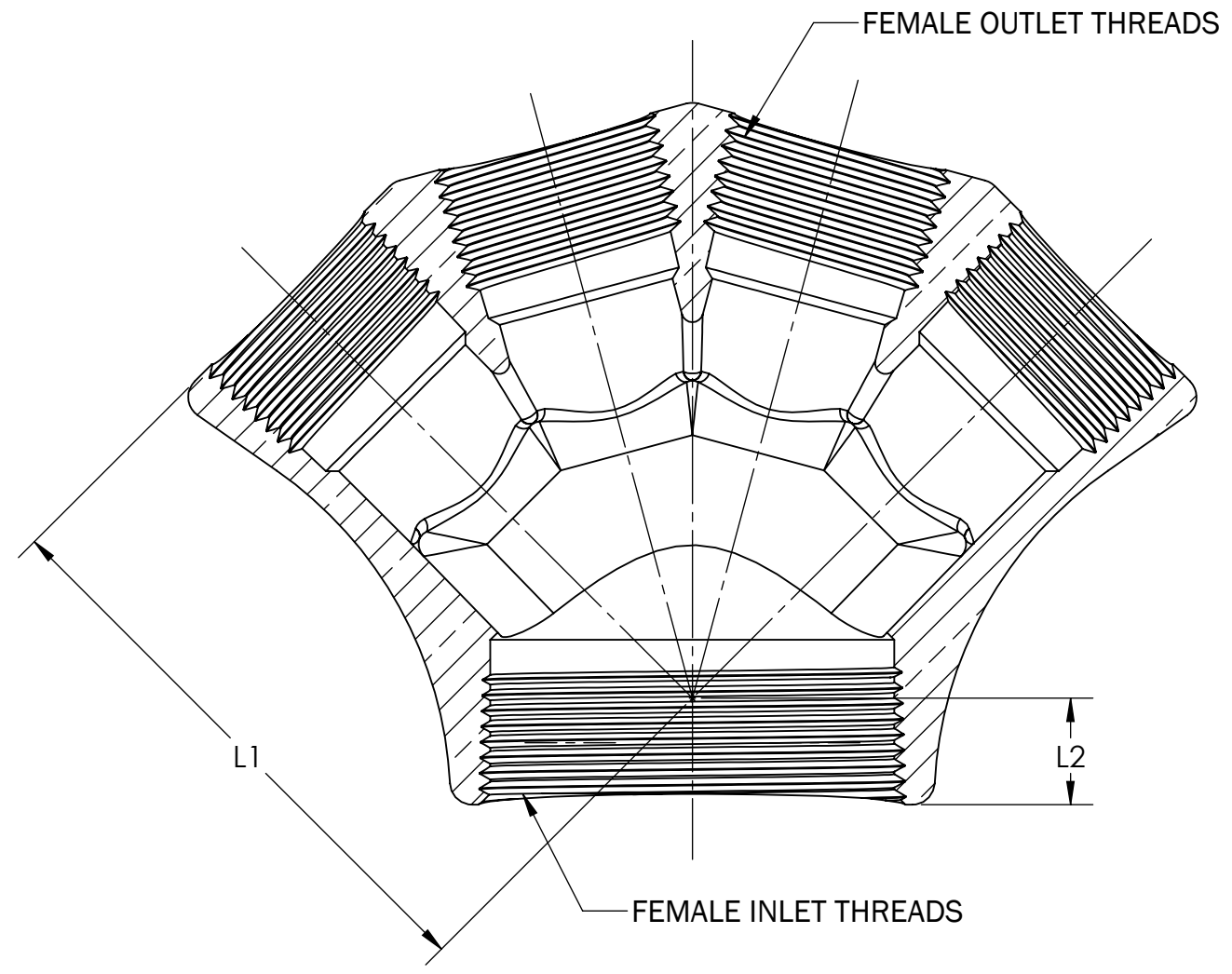
C

B

B

A

A



WRENCH LUGS

INLET THRD. SIZE	OUTLET THRD. SIZE	LENGTH (L1)	LENGTH (L2)
2"	FOUR 1"	3 1/4"	5/8"

6 5 4 3 2 1

INTERPRET THIS DRAWING IN ACCORDANCE WITH ASME Y14.5 2018 <b>UNLESS OTHERWISE SPECIFIED:</b> DIMENSIONS ARE IN INCHES MACHINING TOLERANCES: CAST CORNERS R.06 FINISH CAST REFERENCE MUELLER E-64 FOR ALL OTHER TOLERANCES	NAME	DATE	THIRD ANGLE PROJECTION 		
	DRAFTER				
	P.E. APPR.				
	M.E. APPR.				
Q.A. APPR.			TITLE: <b>2"X1"X1"X1"X1" BRANCH LLB</b>		
DO NOT SCALE DRAWING			SIZE <b>B</b>	DWG. NUMBER <b>H15355 552N</b>	REV <b>-</b>
MATERIAL: CAST LLB PER MUELLER ESP E-135			SCALE: 1:1	WT: 4.33 lbs	SHEET 1 OF 1
STK. NUMBER:	REF.NO.				

TITLE TO AND OWNERSHIP OF THIS ENGINEERING DATA REMAINS IN Mueller Co. NO USE IS TO BE MADE OF THIS DATA EXCEPT AS SPECIFICALLY AUTHORIZED BY Mueller Co. ASSENT ON THE PART OF THE RECIPIENT TO THESE CONDITIONS IS PRESUMED