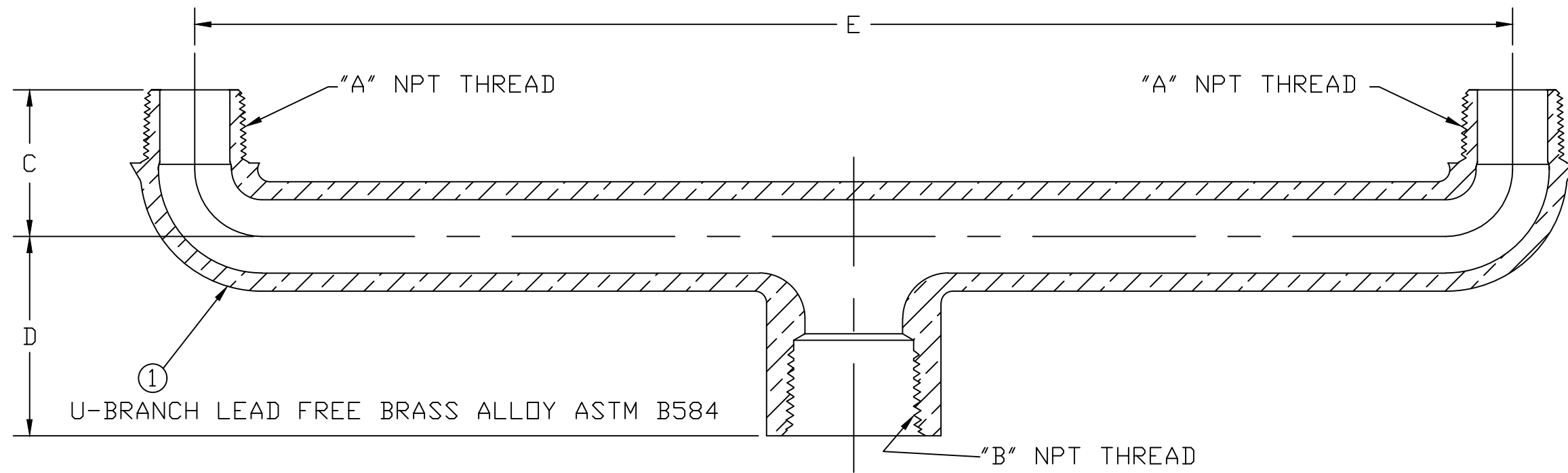


SIZE	A	B	C	D	E
3/4 x 3/4	3/4"	3/4"	1.61	1.63	7.50
1 x 3/4	3/4"	1"	1.56	1.93	6.50
1 x 3/4	3/4"	1"	1.56	1.93	7.50
1 x 3/4	3/4"	1"	1.69	1.94	13.50
1 x 1	1"	1"	1.59	1.75	7.50
1-1/4 x 3/4	3/4"	1-1/4"	1.56	1.96	13.50
1 x 3/4	3/4"	1"	3.56	2.38	14.00



MEETS ALL REQUIREMENTS OF AWWA C800
 ALL WETTED PARTS ARE LEAD FREE BRASS ALLOY C89833/C87850
 ALL NON WETTED PARTS ARE BRASS ALLOY C83600/C87850

DWG NUMBER
 H15365N

TITLE TO AND OWNERSHIP OF THIS ENGINEERING
 DATA REMAINS IN Mueller Co. NO USE IS TO BE
 MADE OF THIS DATA EXCEPT AS SPECIFICALLY
 AUTHORIZED BY Mueller Co. ASSENT ON THE PART
 OF THE RECIPIENT TO THESE CONDITIONS IS PRESUMED

DRFTR	AD	03/06/23	MUELLER		
CHKR					
ENGR			UNLESS OTHERWISE NOTED	THIRD ANGLE PROJECTION	
MGR				SURFACE PREPARATION: BREAK CORNER(S) ---- .000 SURFACE FINISH -- XX RMS	
	BY	DATE	TOLERANCE(S): LINEAR ----- ± .000 ANGULAR ----- ± 0°00'	REF. No.	SCALE
STK No:					FULL
MAT'L:					
DESCR.	U BRANCH CONNECTION (FIP x MIP)			DWG NUMBER	H15365N