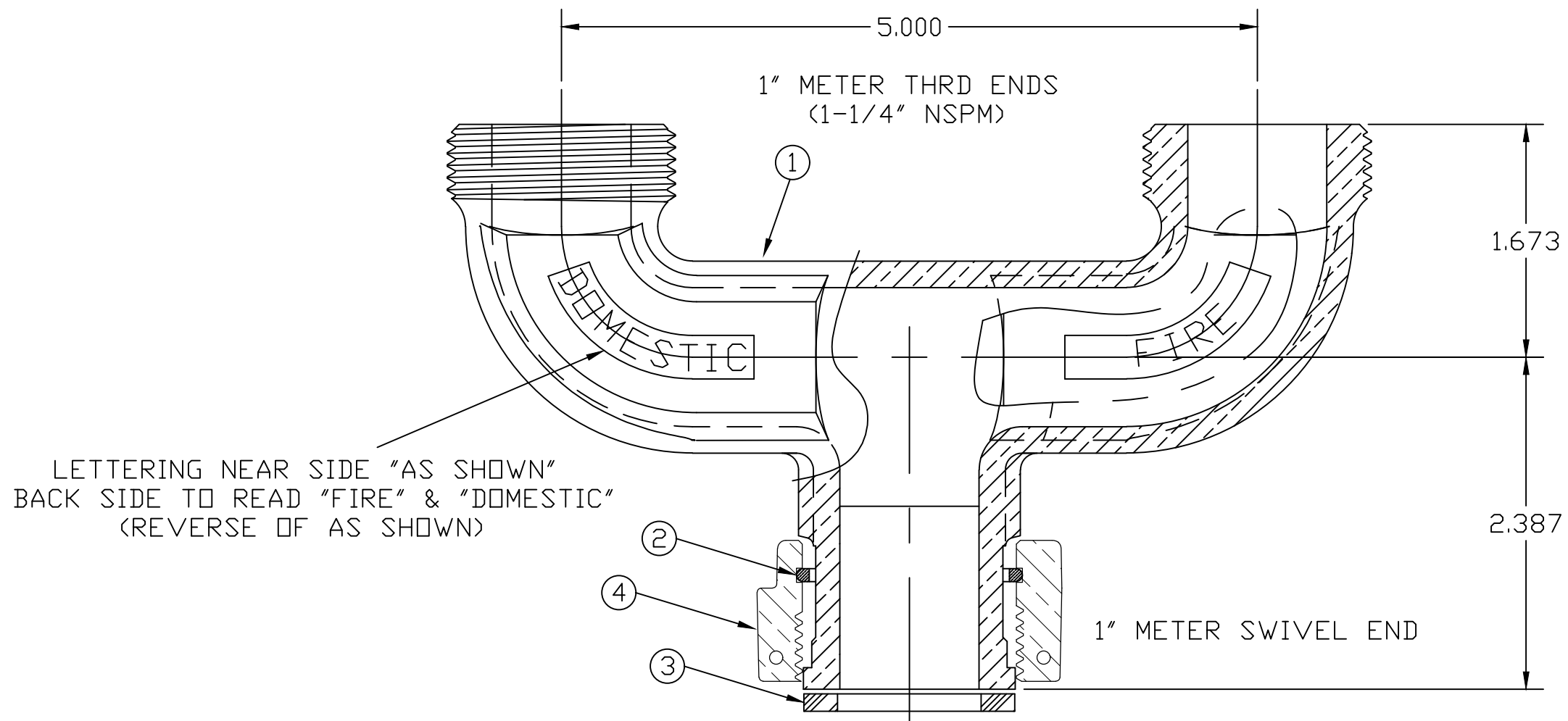


No.	DESCRIPTION	MATERIAL
1	U-BRANCH	LEAD FREE BRASS ALLOY ASTM B584
2	SNAP RING	COPPER ALLOY WIRE CDA521
3	RUBBER GASKET	NITRILE ASTM D2000
4	METER NUT	CAST BRASS ALLOY ASTM B584



LETTERING NEAR SIDE "AS SHOWN"
 BACK SIDE TO READ "FIRE" & "DOMESTIC"
 (REVERSE OF AS SHOWN)

MEETS ALL REQUIREMENTS OF AWWA C800
 ALL WETTED PARTS ARE LEAD FREE BRASS ALLOY C89833/C87850
 ALL NON WETTED PARTS ARE BRASS ALLOY C83600/C87850

DWG NUMBER
 H15375N

TITLE TO AND OWNERSHIP OF THIS ENGINEERING
 DATA REMAINS IN Mueller Co. NO USE IS TO BE
 MADE OF THIS DATA EXCEPT AS SPECIFICALLY
 AUTHORIZED BY Mueller Co. ASSENT ON THE PART
 OF THE RECIPIENT TO THESE CONDITIONS IS PRESUMED

DRFTR	AD	03/06/23	MUELLER	
CHKR				
ENGR			UNLESS OTHERWISE NOTED	THIRD ANGLE PROJECTION
MGR				SURFACE PREPARATION: BREAK CORNER(S) ---- .000 SURFACE FINISH -- XX RMS TOLERANCE(S): LINEAR ----- ± .000 ANGULAR ----- ± 0°00'
STK No:				
MAT'L:				
DESCR.			1" MTR x 1" MTR THRD U-BRANCH	
			DWG NUMBER H15375N	