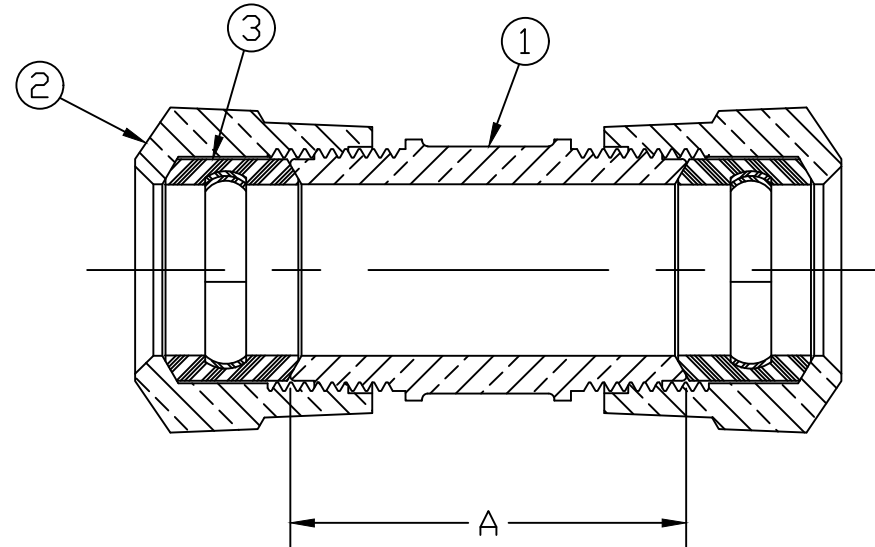


No.	QTY.	DESCRIPTION	MATERIAL
1	1	SPUD	CAST NO LEAD BRASS ALLOY
2	2	CONN. NUT	CAST BRASS ASTM B62 ALLOY C83600
3	2	CTS GSKT SUB	SBR D2000 - GSKT 410ss - BAND



SIZE	A
1/2	1.625
1/2x3/4	1.950
5/8	1.656
5/8x3/4	1.750
3/4	2.062
1	2.406
1x3/4	1.835
1-1/4	2.375
1-1/4x1	2.154
1-1/2	3.312
1-1/2x1	2.840
1-1/2x2	2.750
2	3.375

ALL WETTED PARTS ARE NO LEAD BRASS ALLOY

FILEPATH: PROD-ENG\MUELLER\ASYSUBMITTALS\H15403N

						DRFTR JGarvin 12/21/09	MUELLER	THIRD ANGLE PROJECTION
						CHKR		
						ENGR		
						MGR		
						BY	DATE	UNLESS OTHERWISE NOTED
						STK No:		SURFACE PREPARATION:
						MAT'L:		BREAK CORNER(S) ----- .000
						DESCR.		SURFACE FINISH -- XX RMS
								TOLERANCE(S):
								LINEAR ----- ± .000
								ANGULAR ----- ± 0°00'
								REF. No.
								SCALE
								NONE
								DWG NUMBER
								H15403N

TITLE TO AND OWNERSHIP OF THIS ENGINEERING DATA REMAINS IN Mueller Co. NO USE IS TO BE MADE OF THIS DATA EXCEPT AS SPECIFICALLY AUTHORIZED BY Mueller Co. ASSENT ON THE PART OF THE RECIPIENT TO THESE CONDITIONS IS PRESUMED

REV ECR DESCRIPTION DATE BY CHKR
PER EST NO: DXXXX EST FIN WT = 0.0000 lbs

NLB STRAIGHT SERVICE FITTING
(110 CTS × 110 CTS)

DWG NUMBER
H15403N
442-MRKTG