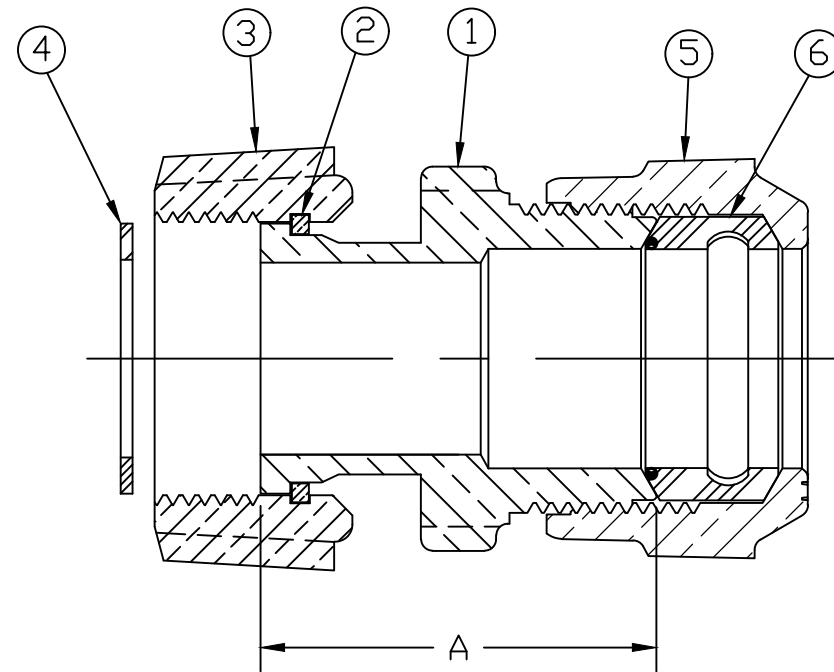


No.	DESCRIPTION	MATERIAL
1	TAILPIECE	CAST LOW LEAD BRASS ALLOY
2	SNAP RING	ASTM B134 CDA 521 BRASS
3	COUP. NUT	CAST BRASS ASTM B62 ALLOY C83600
4	GASKET	RED FIBER
5	CONN. NUT	CAST BRASS ASTM B62 ALLOY C83600
6	GASKET ASS'Y	ASTM D2000 & 410 STAINLESS STEEL



SIZE	A
1"	2.062

ALL WETTED PARTS ARE LOW LEAD BRASS ALLOY

FILEPATH: PROD-ENG\MUELLER\ASYSUBMITTALS\H15413N

						DRFTR	RWB	8/12/19	MUELLER	UNLESS OTHERWISE NOTED THIRD ANGLE PROJECTION SURFACE PREPARATION: BREAK CORNER(S) ---- .000 SURFACE FINISH -- XX RMS TOLERANCE(S): LINEAR ----- ± .000 ANGULAR ----- ± 0°00'	REF. No.	SCALE NONE	
						CHKR							
						ENGR							
						MGR							
								BY	DATE				
								STK No:					
								MAT'L:					
								DESCR.	LLB STRAIGHT CORP STOP COUP (INSIDE MUELLER SWIVEL x CTS 110)			DWG NUMBER H15413N	
								REV	ECR	DESCRIPTION	DATE	BY	CHKR
PER EST NO: DXXXX EST FIN WT = 0.0000 lbs													

DWG NUMBER
H15413N
442-MRKTNG

TITLE TO AND OWNERSHIP OF THIS ENGINEERING
DATA REMAINS IN Mueller Co. NO USE IS TO BE
MADE OF THIS DATA EXCEPT AS SPECIFICALLY
AUTHORIZED BY Mueller Co. ASSENT ON THE PART
OF THE RECIPIENT TO THESE CONDITIONS IS PRESUMED