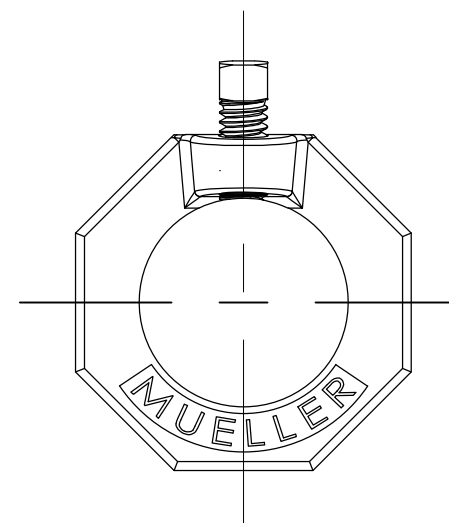
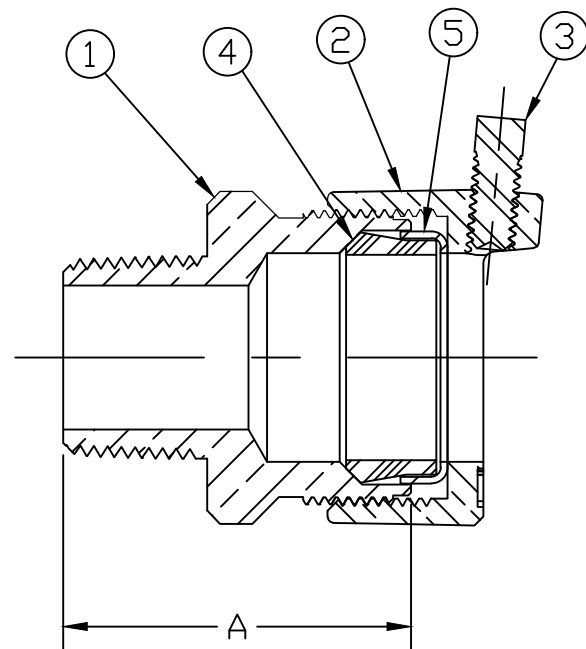


ITEM	DESCRIPTION	MATERIAL DESCRIPTION
1	SPUD	LEAD FREE BRASS ALLOY ASTM B584
2	COUPLING NUT	CAST BRASS ALLOY ASTM B584
3	SET SCREW	CAD. PLATED IRON
4	GASKET	EPDM D2000
5	RETAINER CUP	ASTM A1008 STEEL



SIZE	A
3/4"	1.812
1"	1.969

MEETS ALL REQUIREMENTS OF AWWA C800
 ALL STEMS ARE LEAD FREE BRASS ALLOY C89833/C69300
 ALL WETTED PARTS ARE LEAD FREE BRASS ALLOY C89833/C87850
 ALL NON WETTED PARTS ARE BRASS ALLOY C83600/C87850

DWG NUMBER
H1542310N

DRFTR	RWB	8/15/17	MUELLER	
CHKR				
ENGR			UNLESS OTHERWISE NOTED SURFACE PREPARATION: BREAK CORNER(S) ---- .000 SURFACE FINISH -- XX RMS	THIRD ANGLE PROJECTION
MGR				REF. No.
	BY	DATE	LINEAR ----- ± .000	NONE
			ANGULAR ----- ± 0°00'	
STK No:				
MAT'L:				
DESCR.	SERVICE FITTING (MIP x DRESSER)		DWG NUMBER H1542310N	

TITLE TO AND OWNERSHIP OF THIS ENGINEERING
 DATA REMAINS IN Mueller Co. NO USE IS TO BE
 MADE OF THIS DATA EXCEPT AS SPECIFICALLY
 AUTHORIZED BY Mueller Co. ASSENT ON THE PART
 OF THE RECIPIENT TO THESE CONDITIONS IS PRESUMED