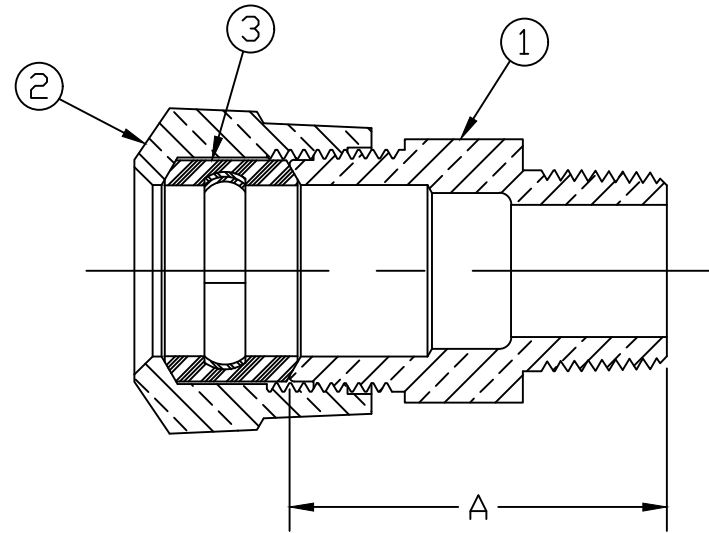


No.	QTY.	DESCRIPTION	MATERIAL
1	1	SPUD	CAST LOW LEAD BRASS ALLOY
2	1	CONN. NUT	CAST BRASS ASTM B62 ALLOY C83600
3	1	CTS GSKT SUB	SBR D2000 - GSKT 410ss - BAND



SIZE	A
1/2"	1.750
1/2" x 3/4"	1.781
3/4"	1.965
3/4" x 1"	2.125
1"	2.156
1" x 3/4"	1.976
1" x 2"	2.872
1-1/4"	2.312
1-1/4" x 1"	2.194
1-1/2"	2.375
1-1/2" x 1"	2.880
2"	2.625
2" x 1-1/2"	2.453

ALL WETTED PARTS ARE LOW LEAD BRASS ALLOY

FILEPATH: PROD-ENG\MUELLER\ASYSUBMITTALS\H15428N

						DRFTR	Garvin	9/17/09	Mueller Co.					
						CHKR								
						ENGR								
						MGR								
									UNLESS OTHERWISE NOTED	THIRD ANGLE PROJECTION				
									SURFACE PREPARATION:					
									BREAK CORNER(S) ---- .000					
									SURFACE FINISH -- 000 RMS	REF. No.	SCALE			
									TOLERANCE(S):		NONE			
									LINEAR ----- ± .000					
									ANGULAR ----- ± 0°00'					
									STK No:					
									MAT'L:					
									DESCR.	LLB STRAIGHT SERVICE FITTING (110 CTS x MIP)	DWG NUMBER H15428N			
									REV	ECR	DESCRIPTION	DATE	BY	CHKR
									PER EST NO: DXXXX EST FIN WT = 0.0000 lbs					

TITLE TO AND OWNERSHIP OF THIS ENGINEERING DATA REMAINS IN Mueller Co. NO USE IS TO BE MADE OF THIS DATA EXCEPT AS SPECIFICALLY AUTHORIZED BY Mueller Co. ASSENT ON THE PART OF THE RECIPIENT TO THESE CONDITIONS IS PRESUMED

DWG NUMBER
H15428N
442-MRKTG