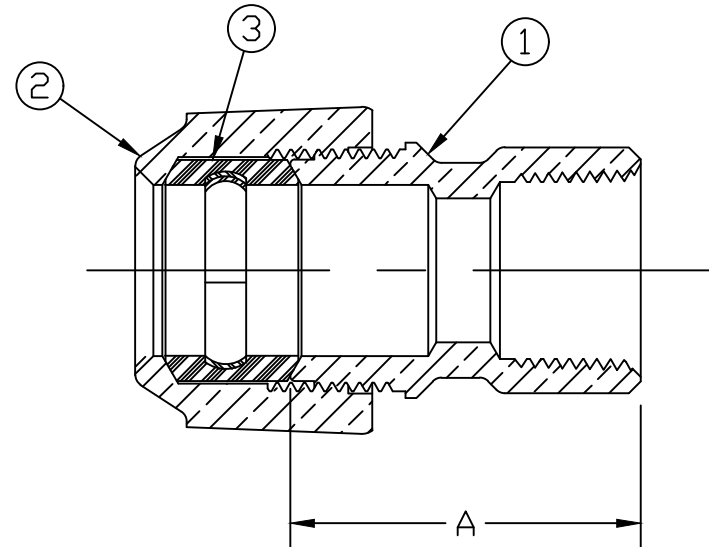


No.	DESCRIPTION	MATERIAL
1	SPUD	LEAD FREE BRASS ALLOY ASTM B584
2	CONN. NUT	CAST BRASS ALLOY ASTM B584
3	CTS GSKT SUB	SBR D2000 - GSKT 410ss - BAND



SIZE	A
1/2"	1.564
1/2" x 3/4"	1.900
5/8" x 3/4"	1.750
3/4"	1.965
3/4" x 1/2"	1.825
3/4" x 1"	1.766
1"	2.094
1" x 3/4"	1.625
1" x 1-1/4"	2.516
1-1/4"	2.469
1-1/4" x 1"	2.194
1-1/2"	2.500
1-1/2" x 1"	2.880
2"	2.562
2" x 1-1/2"	2.265

MEETS ALL REQUIREMENTS OF AWWA C800  
 ALL WETTED PARTS ARE LEAD FREE BRASS ALLOY C89833/C87850  
 ALL NON WETTED PARTS ARE BRASS ALLOY C83600/C87850

DWG NUMBER  
H15451N

TITLE TO AND OWNERSHIP OF THIS ENGINEERING  
 DATA REMAINS IN Mueller Co. NO USE IS TO BE  
 MADE OF THIS DATA EXCEPT AS SPECIFICALLY  
 AUTHORIZED BY Mueller Co. ASSENT ON THE PART  
 OF THE RECIPIENT TO THESE CONDITIONS IS PRESUMED

DRFTR	AD	01/26/23	<b>MUELLER</b>	
CHKR				
ENGR			UNLESS OTHERWISE NOTED SURFACE PREPARATION: BREAK CORNER(S) ----- .000 SURFACE FINISH -- 000 RMS	THIRD ANGLE PROJECTION
MGR				TOLERANCE(S): LINEAR ----- ± .000 ANGULAR ----- ± 0°00'
	BY	DATE		SCALE
				NONE
STK No:				
MAT'L:				
DESCR.			STRAIGHT SERVICE FITTING (110 CTS x FIP)	
			DWG NUMBER H15451N	