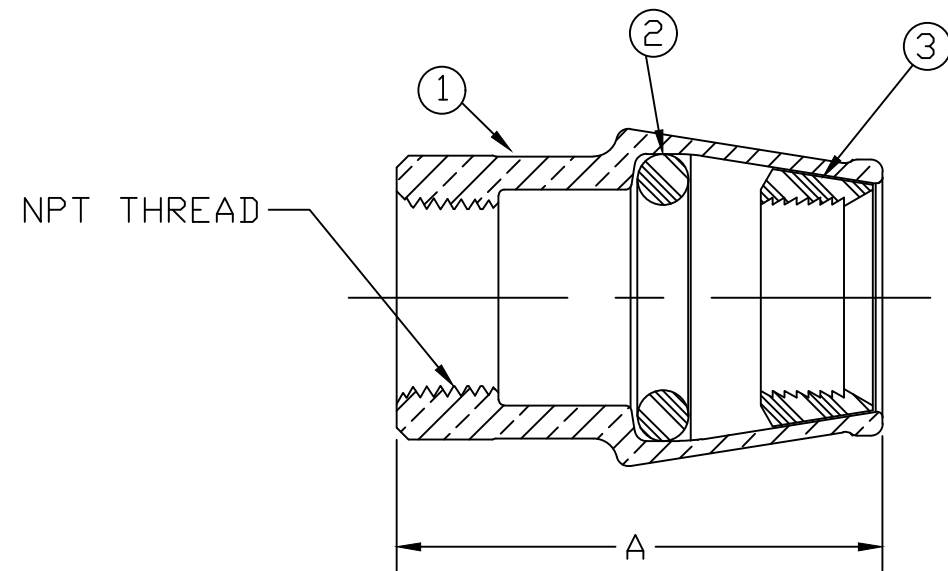
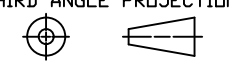


No.	QTY.	DESCRIPTION	MATERIAL
1	1	BODY	LEAD FREE BRASS ALLOY ASTM B584
2	1	□ RING	EP ASTM D2000
3	1	GRIP RING	CELCON



SIZE	A	NPT
3/4	2.53	3/4"
3/4x1	2.78	3/4"
1	2.66	1"

MEETS ALL REQUIREMENTS OF AWWA C800
 ALL WETTED PARTS ARE LEAD FREE BRASS ALLOY C89833/C87850
 ALL NON WETTED PARTS ARE BRASS ALLOY C83600/C87850

DRFTR	AD	03/03/23	MUELLER		
CHKR					
ENGR			UNLESS OTHERWISE NOTED	THIRD ANGLE PROJECTION	
MGR				SURFACE PREPARATION: BREAK CORNER(S) ----- .000 SURFACE FINISH -- XX RMS TOLERANCE(S): LINEAR ----- ± .000 ANGULAR ----- ± 0°00'	 REF. No. SCALE NONE
STK No:		DATE			
MAT'L:					
DESCR.			STRAIGHT SERVICE FITTING (FIP x INSTA-TITE IPS PE)		
			DWG NUMBER H15456N		

TITLE TO AND OWNERSHIP OF THIS ENGINEERING DATA REMAINS IN Mueller Co. NO USE IS TO BE MADE OF THIS DATA EXCEPT AS SPECIFICALLY AUTHORIZED BY Mueller Co. ASSENT ON THE PART OF THE RECIPIENT TO THESE CONDITIONS IS PRESUMED

DWG NUMBER
H15456N