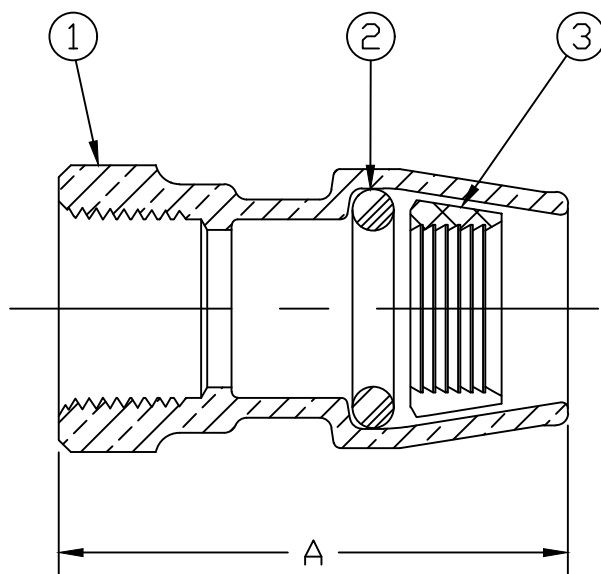


No.	DESCRIPTION	MATERIAL
1	SERVICE FITTING	CAST NO LEAD BRASS ALLOY
2	O-RING	EPDM D2000
3	GRIP RING	CELCON M90



SIZE	A
3/4"	2.625
1"	3.000

ALL WETTED PARTS ARE NO LEAD BRASS ALLOY

FILEPATH: PROD-ENG\MUELLER\ASYSUBMITTALS\H15457

						DRFTR	RWB	10/2/17	MUELLER	UNLESS OTHERWISE NOTED THIRD ANGLE PROJECTION SURFACE PREPARATION: BREAK CORNER(S) ---- .000 SURFACE FINISH -- XX RMS TOLERANCE(S): LINEAR ----- ± .000 ANGULAR ----- ± 0°00'	REF. No.	SCALE NONE
						CHKR						
						ENGR						
						MGR						
							BY	DATE				
								STK No:				
								MAT'L:				
								DESCR.	INSTA-TITE NLB SERVICE FITTING (FIP x CTS PE INSTA-TITE)		DWG NUMBER H15457N	
						REV	ECR	DESCRIPTION	DATE	BY	CHKR	
PER EST NO: DXXXX EST FIN WT = 0.0000 lbs												

TITLE TO AND OWNERSHIP OF THIS ENGINEERING DATA REMAINS IN Mueller Co. NO USE IS TO BE MADE OF THIS DATA EXCEPT AS SPECIFICALLY AUTHORIZED BY Mueller Co. ASSENT ON THE PART OF THE RECIPIENT TO THESE CONDITIONS IS PRESUMED

DWG NUMBER
H15457N
442-MRKTG