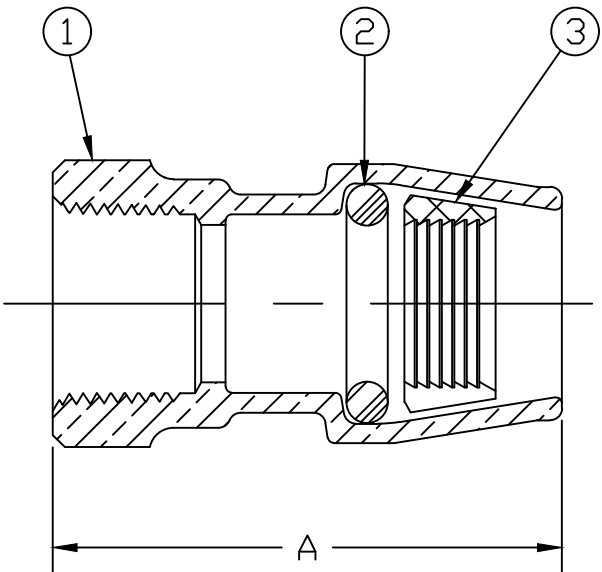


No.	DESCRIPTION	MATERIAL
1	SERVICE FITTING	LEAD FREE BRASS ALLOY ASTM B584
2	O-RING	EPDM D2000
3	GRIP RING	CELCON M90



SIZE	A
3/4"	2.625
1"	3.000

MEETS ALL REQUIREMENTS OF AWWA C800
 ALL WETTED PARTS ARE LEAD FREE BRASS ALLOY C89833/C87850
 ALL NON WETTED PARTS ARE BRASS ALLOY C83600/C87850

DRFTR	AD	03/03/23	MUELLER		
CHKR					
ENGR					
MGR					
			UNLESS OTHERWISE NOTED	THIRD ANGLE PROJECTION	
			SURFACE PREPARATION:		
			BREAK CORNER(S) ---- .000		
			SURFACE FINISH -- XX RMS	REF. No.	SCALE
	BY	DATE	TOLERANCE(S):		NONE
			LINEAR ----- ± .000		
			ANGULAR ----- ± 0°00'		
STK No:					
MAT'L:					
DESCR.	INSTA-TITE SERVICE FITTING (FIP x CTS PE INSTA-TITE)			DWG NUMBER H15457N	

DWG NUMBER
H15457N

TITLE TO AND OWNERSHIP OF THIS ENGINEERING
 DATA REMAINS IN Mueller Co. NO USE IS TO BE
 MADE OF THIS DATA EXCEPT AS SPECIFICALLY
 AUTHORIZED BY Mueller Co. ASSENT ON THE PART
 OF THE RECIPIENT TO THESE CONDITIONS IS PRESUMED