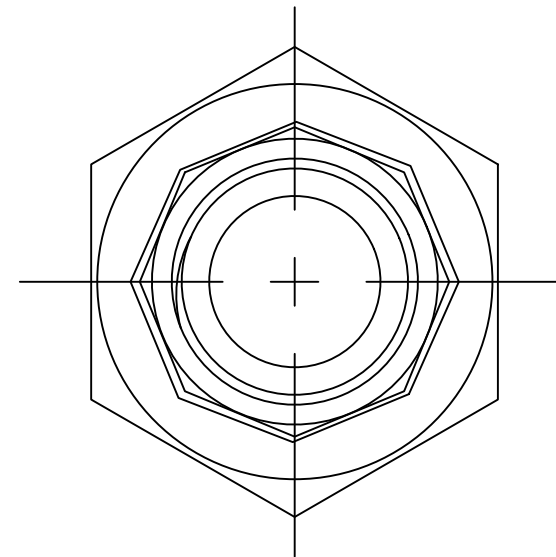
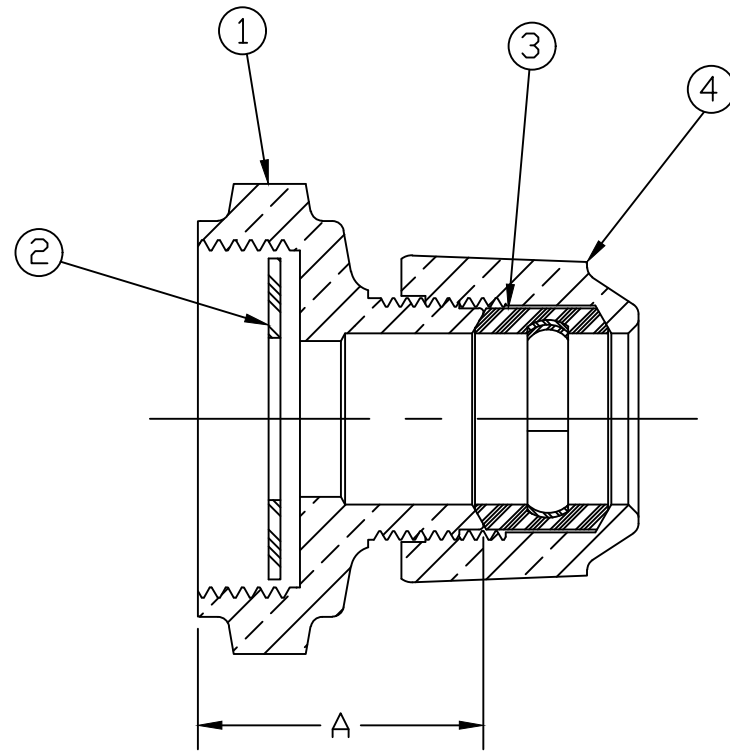


No.	DESCRIPTION	MATERIAL
1	SPUD	LEAD FREE BRASS ALLOY ASTM B584
2	GASKET	FIBER ASTM D710
3	CTS GASKET SUB	ASTM D2000(SBR)&410 STAINLESS STL
4	CONNX NUT	CAST BRASS ALLOY ASTM B584



SIZE	A
1/2" x 3/4"	1.41
5/8" x 3/4"	1.40
3/4"	1.49
1"	1.64

MEETS ALL REQUIREMENTS OF AWWA C800
 ALL WETTED PARTS ARE LEAD FREE BRASS ALLOY C89833/C87850
 ALL NON WETTED PARTS ARE BRASS ALLOY C83600/C87850

DWG NUMBER
H15509N

TITLE TO AND OWNERSHIP OF THIS ENGINEERING
 DATA REMAINS IN Mueller Co. NO USE IS TO BE
 MADE OF THIS DATA EXCEPT AS SPECIFICALLY
 AUTHORIZED BY Mueller Co. ASSENT ON THE PART
 OF THE RECIPIENT TO THESE CONDITIONS IS PRESUMED

DRFTR	AD	02/20/23	MUELLER	
CHKR				
ENGR			UNLESS OTHERWISE NOTED SURFACE PREPARATION: BREAK CORNER(S) ---- .000 SURFACE FINISH -- XX RMS	THIRD ANGLE PROJECTION
MGR				REF. No.
	BY	DATE	LINEAR ----- ± .000	FULL
			ANGULAR ----- ± 0°00'	
STK No:	MAT'L:			
DESCR.			CORP STOP COUPLING (XS LEAD FLANGE x CTS 110)	DWG NUMBER H15509N