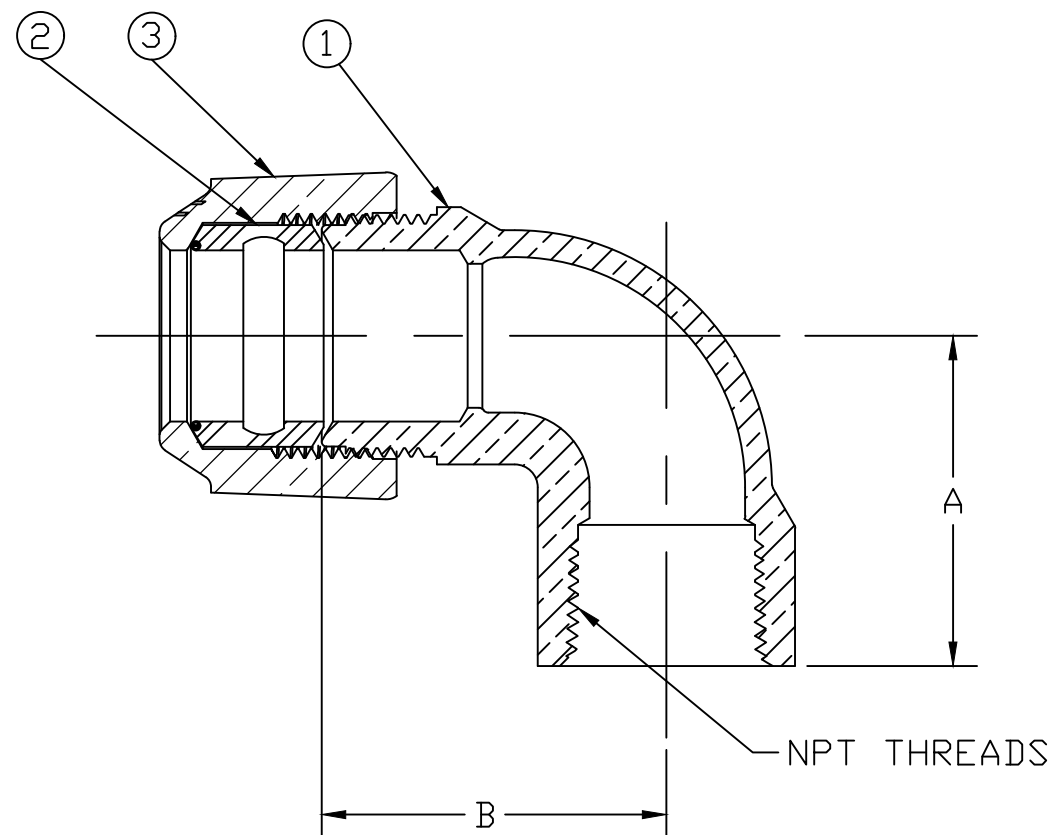


No.	DESCRIPTION	MATERIAL DESCRIPTION
1	SPUD	LEAD FREE BRASS ALLOY ASTM B584
2	CTS GASKET SUB	ASTM D2000(SBR)&410 STAINLESS STEEL
3	CONN NUT	CAST BRASS ALLOY ASTM B584

SIZE	A	B
3/4"	1.72	1.79
1"	2.00	2.00
1 1/2"	2.38	2.75
2"	2.84	3.09



MEETS ALL REQUIREMENTS OF AWWA C800  
 ALL WETTED PARTS ARE LEAD FREE BRASS ALLOY C89833/C87850  
 ALL NON WETTED PARTS ARE BRASS ALLOY C83600/C87850

DWG NUMBER  
H15533N

TITLE TO AND OWNERSHIP OF THIS ENGINEERING DATA REMAINS IN Mueller Co. NO USE IS TO BE MADE OF THIS DATA EXCEPT AS SPECIFICALLY AUTHORIZED BY Mueller Co. ASSENT ON THE PART OF THE RECIPIENT TO THESE CONDITIONS IS PRESUMED

DRFTR	AD	02/27/23	<b>MUELLER</b>		
CHKR					
ENGR			UNLESS OTHERWISE NOTED SURFACE PREPARATION: BREAK CORNER(S) ---- .000 SURFACE FINISH --XX RMS	THIRD ANGLE PROJECTION	
MGR				REF. No.	SCALE
	BY	DATE	TOLERANCE(S): LINEAR ----- ± .000 ANGULAR ----- ± 0°00'		FULL
STK No:			MAT'L:		
DESCR.			1/4 BEND SERVICE FITTING (110CTS x FIP)		DWG NUMBER H15533N