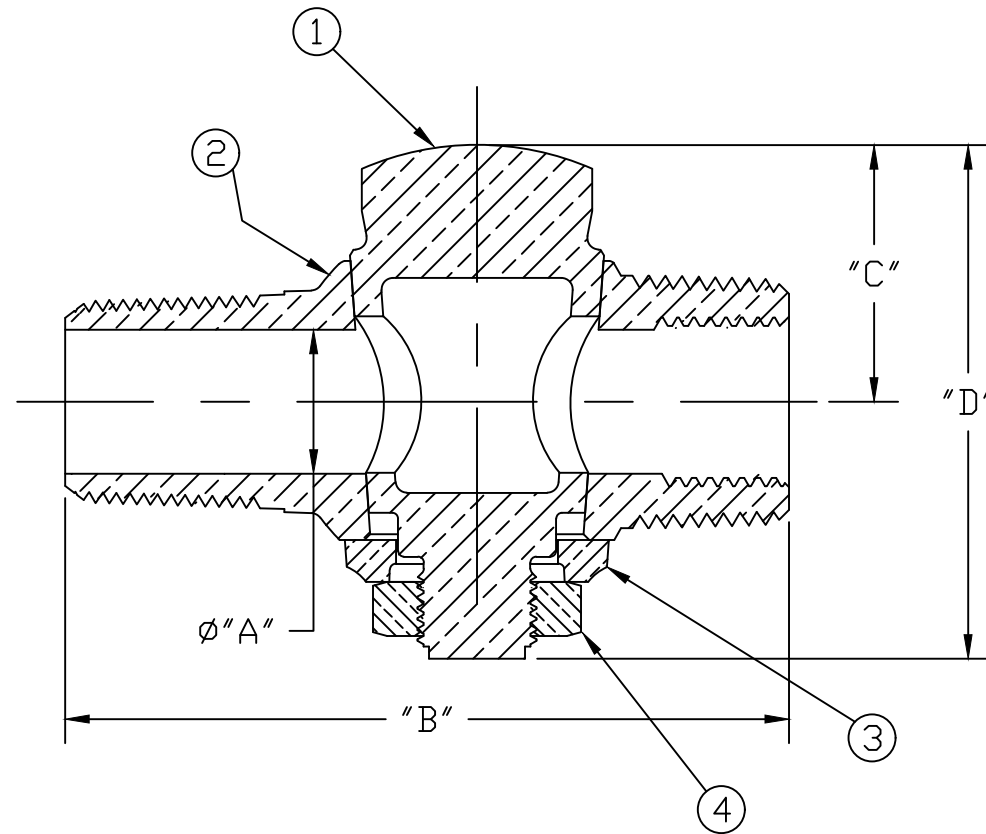


No.	DESCRIPTION	MATERIAL
1	KEY	CAST NO LEAD BRASS ALLOY
2	BODY	CAST NO LEAD BRASS ALLOY
3	KEY WASHER	CAST BRASS ASTM B62 ALLOY C83600
4	KEY NUT	CAST BRASS ASTM B62 ALLOY C83600



SIZE	ØA	B	C	D
1/2"	.500	3.219	1.406	2.297
5/8"	.625	3.422	1.203	2.500
3/4"	.750	3.770	1.300	2.675
1"	1.000	4.390	1.410	2.870
1-1/2"	1.500	6.031	2.156	4.484
2"	2.000	7.125	2.359	4.828

ALL WETTED PARTS ARE NO LEAD BRASS ALLOY

FILEPATH: PROD-ENG\MUELLER\ASYSUBMITTALS\H9979N

						DRFTR	RWB	7/27/20	MUELLER		THIRD ANGLE PROJECTION			
						CHKR					UNLESS OTHERWISE NOTED			
						ENGR					SURFACE PREPARATION:			REF. No.
						MGR					BREAK CORNER(S) ---- .000		NONE	
									SURFACE FINISH -- XX RMS					
									TOLERANCE(S):					
									LINEAR ----- ± .000					
									ANGULAR ----- ± 0°00'					
									STK No:					
									MAT'L:					
									DESCR.					
									CORPORATION STOP VALVE - LLB					
									("IP" x MIP" w/ SCREW PLUG THRD)					
												DWG NUMBER		
												H9979N		

TITLE TO AND OWNERSHIP OF THIS ENGINEERING DATA REMAINS IN Mueller Co. NO USE IS TO BE MADE OF THIS DATA EXCEPT AS SPECIFICALLY AUTHORIZED BY Mueller Co. ASSENT ON THE PART OF THE RECIPIENT TO THESE CONDITIONS IS PRESUMED.

REV ECR DESCRIPTION DATE BY CHKR

PER EST NO: DXXXX EST FIN WT = 0.0000 lbs

DWG NUMBER
H9979N
442-MRKTNG