

# JONES<sup>®</sup>

a **MUELLER** brand

## 3-NOZZLE DUCTILE IRON FIRE HYDRANT

### 350 psi

### PRODUCT FEATURES

- Meets or exceeds requirements of AWWA C503
- Individual valve operation
- Limited number of internal parts
- Nozzle Threads conform to NFPA 1963, NH/NST (other thread forms available to order)
- Removable nozzle design
- Available in a variety of bolt hole patterns
- Low-zinc silicon bronze stems
- Heavy-duty disc holder
- Product rated up to 350psig/24barg, hydrostatically tested up to 700psig/48barg
- O-Ring stem seals
- Epoxy-coated interior meets AWWA C550 and NSF 61
- 10-year limited warranty
- 5" integral Storz Pumper Nozzle available
- Contemporary design features a contoured head and fluted spool
- Made in the U.S.A.



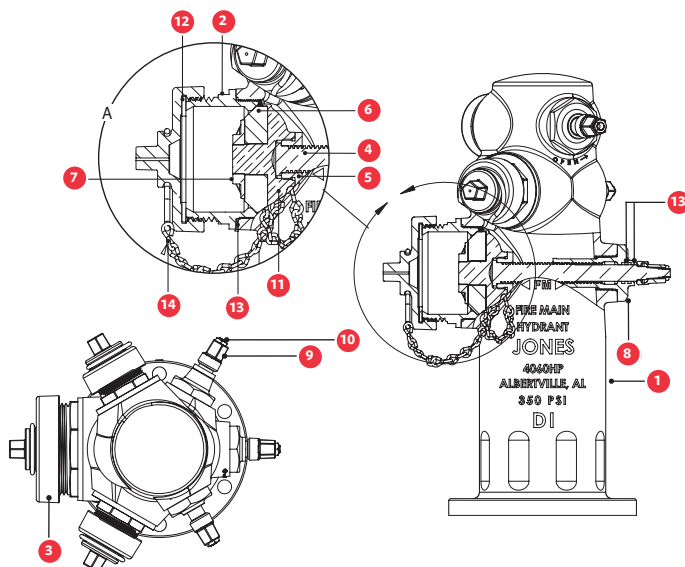
**FM** APPROVED 250psig/17barg Rating

**UL** 250psig/17barg Rating

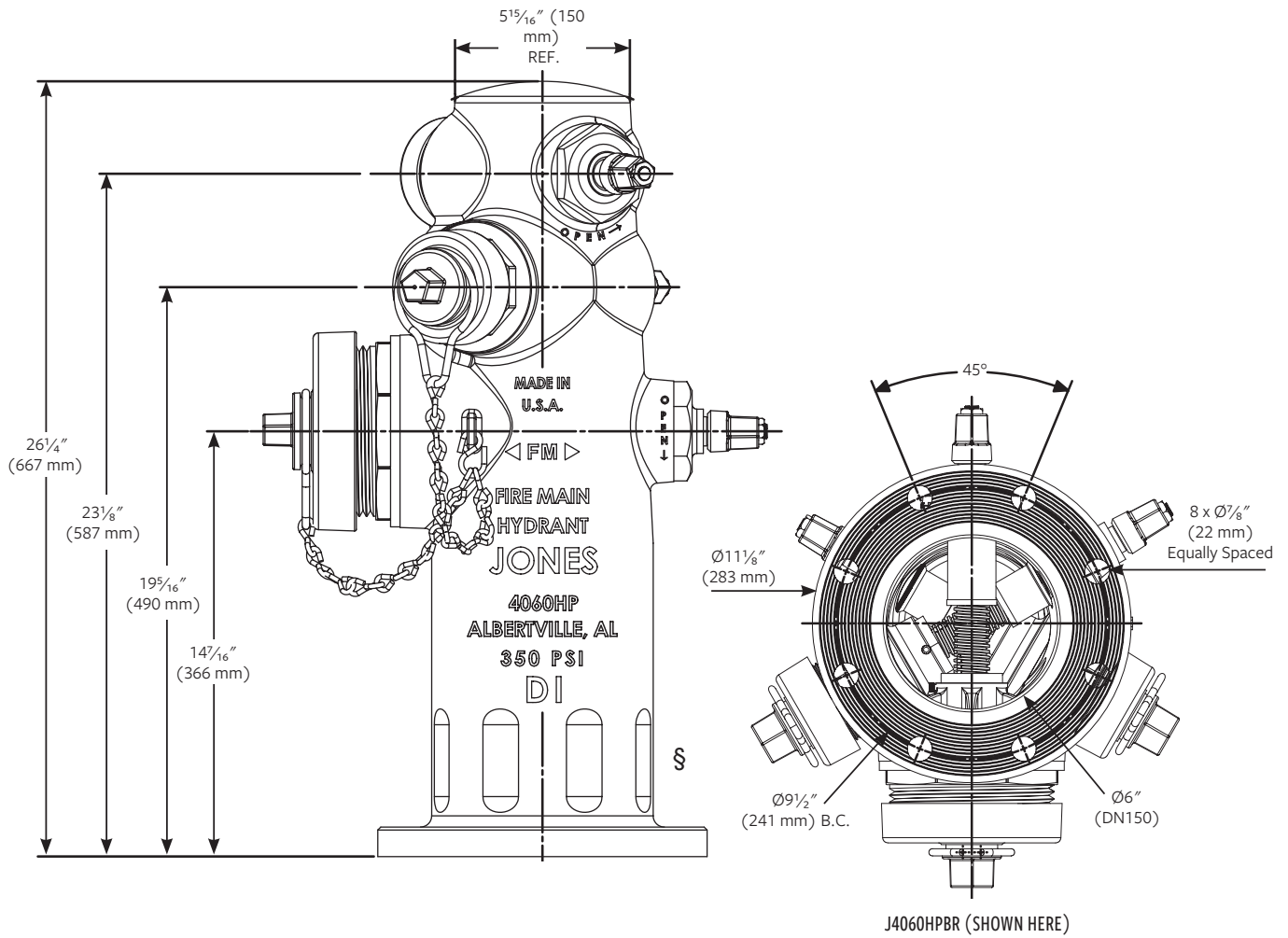
### PARTS LIST

ID	PART NAME	MATERIAL
1	Hydrant Body	Ductile Iron ASTM A536
2	Nozzle Inserts	Brass ASTM B584
3	Hose Caps	Cast Iron ASTM A126
4	Hydrant Stem	Silicon Bronze ASTM B584
5	Stem Locknut	Brass ASTM B584
6	Beveled Hydrant Disc	BUNA-N
7	Hydrant Disc Locknut	Brass ASTM B584
8	Stem Insert	Brass ASTM B584
9	Pent Nut	Brass ASTM B584
10	Pent Nut Retainer	Copper Alloy
11	Hydrant Disc Holder	Brass ASTM B584
12	Nozzle Gasket	Neoprene
13	O-Rings	BUNA-N
14	Chain	Zinc Coated Steel

PART #	NOZZLE CONFIG.	FLANGE PATTERN	WEIGHT
J4060HPAR	4½" x 2½" x 2½"	6 - Ø¾" (19mm) Holes, 9¾" (238mm) DBC	148 lb (67Kg)
J4060HPBR	4" x 2½" x 2½"	8 - Ø⅞" (22mm) Holes, 9½" (241mm) DBC	154 lb (70Kg)
J4060HPCR	4" x 2½" x 2½"	6 - Ø⅞" (22mm) Holes, 9½" (241mm) DBC	143 lb (65Kg)
J4060HPDR	4" x 2½" x 2½"	6 - Ø¾" (19mm) Holes, 9¾" (238mm) DBC	143 lb (65Kg)
J4060HPER	4½" x 2½" x 2½"	8 - Ø⅞" (22mm) Holes, 9½" (241mm) DBC	143 lb (65Kg)



**MUELLER**



For more information about us, or to view our full line of products, please visit [www.mueller-international.com](http://www.mueller-international.com) or call International Customer Service at:

UK: +44.1438.487410 Dubai: +971.4.214.6640 Singapore: +65.6816.3088 USA: +1.800.423.1323 | [International@muellerwp.com](mailto:International@muellerwp.com)

Mueller refers to one or more of Mueller Water Products, Inc., a Delaware corporation ("MWP"), and its subsidiaries. MWP and each of its subsidiaries are legally separate and independent entities when providing products and services. MWP does not provide products or services to third parties. MWP and each of its subsidiaries are liable only for their own acts and omissions and not those of each other. MWP brands include Mueller®, Echologics®, Hydro Gate®, Hydro-Guard®, Jones®, Krausz®, MiNet®, Milliken®, Pratt®, Pratt Industrial®, Singer®, and U.S. Pipe Valve & Hydrant. Please see [muellerwp.com/brands](http://muellerwp.com/brands) to learn more.

© 2020 Mueller Water Products, Inc. All Rights Reserved. The trademarks, logos and service marks displayed in this document are the property of Mueller Water Products, Inc., its affiliates or other third parties. Products above marked with a section symbol (§) are subject to patents or patent applications. For details visit [www.muellerwp.com](http://www.muellerwp.com).

F 13166 3/20

