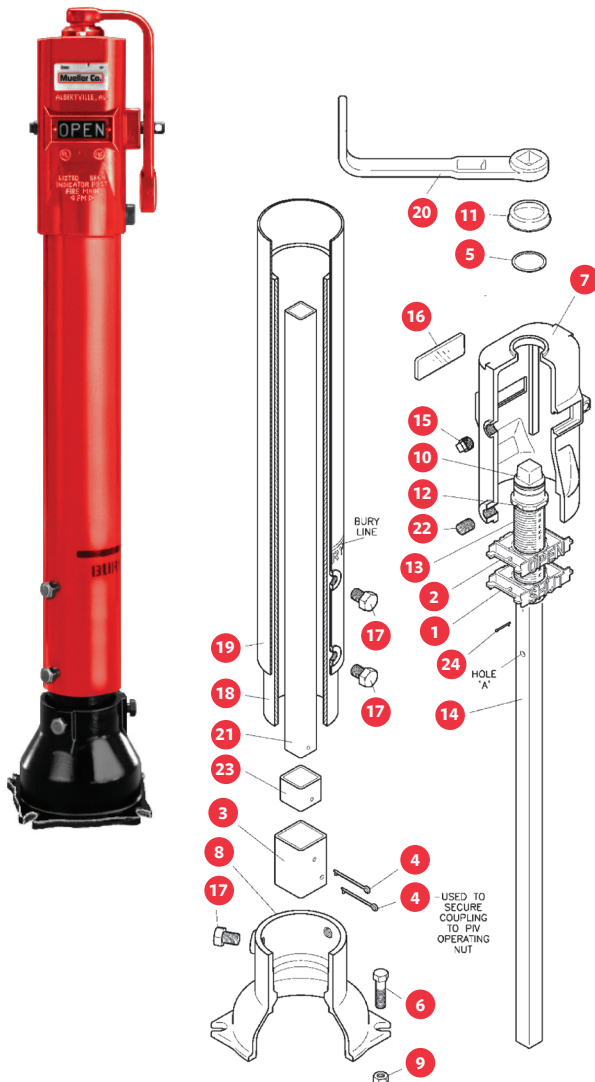


ADJUSTABLE POST INDICATOR

PRODUCT FEATURES

- Adjustable in field without disassembly 24 1/4" (616 mm) range.
- Compatible with 4" – 24"/DN100 – DN600 Post Indicator Valves, requiring 14 to 75 turns respectively to open.
- Models: A-20806 4" – 14"/DN100 – DN350 Valves, A-20807 16" – 24"/DN400 – DN600 Valves.
- Open left or right options.
- Withstands up to 900 ft-lb (1220 Nm) of operating torque.
- Lockable Operating Wench storage prevents tampering.
- NPT tapped boss for mounting optional supervisory switch.
- UL listed (4" – 24"/DN100 – DN600); FM approved (4" – 16"/DN100 – DN400).



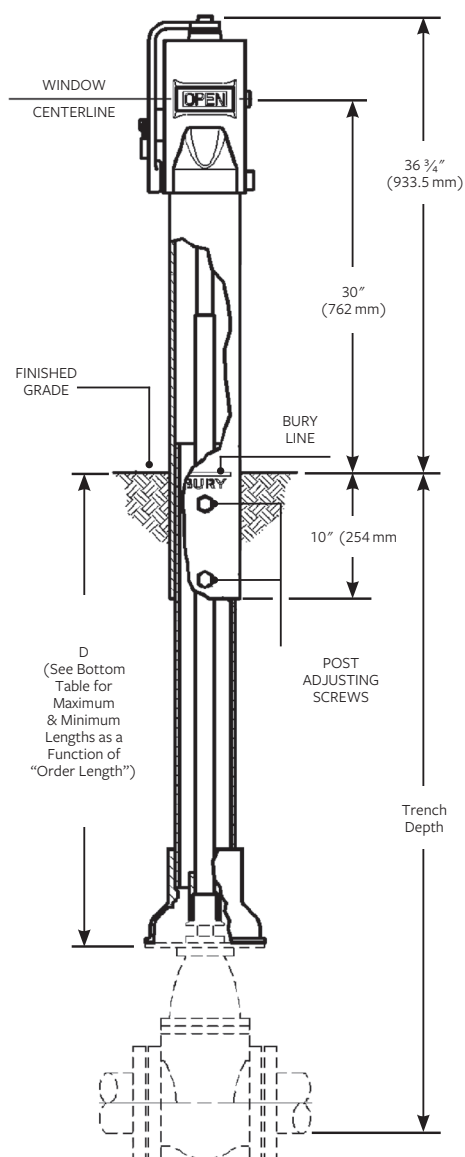
PARTS LIST

ID	PART NAME	MATERIAL
1	SHUT Target	Nylon
2	OPEN Target	Nylon
3	Coupling	Steel ASTM A500 GR.B
4	Cotter Pin (long)	Brass ASTM B21
5	Retaining Ring	Stainless Steel AISI 302
6	Hex Bolt	Steel-Plated ASTM A307 or SAE J429
7	Post Head	Cast Iron ASTM A126 CL.B
8	Bell	Cast Iron ASTM A126 CL.B
9	Hex Nut	Steel-Plated ASTM A563
10	Operating Nut	Ductile Iron ASTM A536
11	Cap	Polypropylene
12	Spring Pin	Stainless Steel AISI 420
13	Threaded Sleeve	Nylon
14	Upper Stem	Steel ASTM A513
15	Pipe Plug - Hex Socket	Steel
16	Window	Molded Plastic
17	Hex Head Screw	Steel-Plated ASTM A307 or SAE J429
18	Lower Barrel	Ductile Iron ASTM A746 (See Note 1)
19	Upper Barrel	Steel ASTM A53 GR.B
20	Wrench	Ductile Iron ASTM A536 (See Note 2)
21	Lower Stem	Steel ASTM A500 GR.B
22	Socket Head Set Screw	Steel ANSI B18.3
23	Coupling	Steel ASTM A500 GR.B
24	Cotter Pin (short)	Brass ASTM B21

Notes:

- PVC DR14 UL Listed optional.
- The Wrench (#20) is made of Ductile Iron on 4" – 14"/DN100 – DN350 Valves and Steel on 16" – 24"/DN400 – DN600 Valves.

NOMINAL TRENCH DEPTHS - FEET/INCHES (MM)



VALVE SIZE	ORDER LENGTH A		ORDER LENGTH B	
	Min.	Max.	Min.	Max.
4"/DN100	2'7" (787)	4'5" (1348)	4'1" (1247)	6'2" (1880)
6"/DN150	3'0" (914)	4'10" (1473)	4'6" (1371)	6'7" (2007)
8"/DN200	3'4" (1016)	5'2" (1575)	4'11" (1499)	6'11" (2108)
10"/DN250	3'8" (1118)	5'6" (1676)	5'3" (1600)	7'3" (2210)
12"/DN300	4'0" (1219)	5'10" (1778)	5'7" (1702)	7'7" (2311)
14"/DN350	4'6" (1371)	6'4" (1930)	6'1" (1854)	8'1" (2464)
16"/DN400	4'10" (1473)	6'8" (2032)	6'5" (1956)	8'5" (2565)
18"/DN450	5'5" (1651)	7'3" (2210)	7'0" (2134)	9'0" (2743)
20"/DN500	5'10" (1778)	7'8" (2337)	7'4" (2235)	9'5" (2870)
24"/DN600	6'6" (1981)	8'4" (2540)	8'1" (2464)	10'1" (3073)

VALVE SIZE	ORDER LENGTH C		ORDER LENGTH D	
	Min.	Max.	Min.	Max.
4"/DN100	5'10" (1778)	7'11" (2413)	7'6" (2286)	9'8" (2946)
6"/DN150	6'3" (1905)	8'4" (2540)	8'0" (2438)	10'1" (3073)
8"/DN200	6'8" (2032)	8'8" (2642)	8'5" (2565)	10'5" (3175)
10"/DN250	6'10" (2083)	9'0" (2743)	8'9" (2667)	10'9" (3277)
12"/DN300	7'4" (2235)	9'4" (2849)	9'1" (2769)	11'1" (3378)
14"/DN350	7'10" (2388)	9'10" (2997)	9'7" (2921)	11'7" (3531)
16"/DN400	8'2" (2489)	10'2" (3099)	9'11" (3023)	11'11" (3632)
18"/DN450	8'9" (2667)	10'9" (3277)	10'6" (3200)	12'6" (3810)
20"/DN500	9'1" (2769)	11'2" (3404)	10'10" (3302)	12'11" (3937)
24"/DN600	9'10" (2997)	11'10" (3608)	11'7" (3531)	13'7" (4140)

VALVE SIZE	ORDER LENGTH E		ORDER LENGTH F	
	Min.	Max.	Min.	Max.
4"/DN100	9'4" (2849)	11'5" (3480)	11'1" (3378)	13'2" (4013)
6"/DN150	9'9" (2972)	11'10" (3608)	11'6" (3505)	13'7" (4140)
8"/DN200	10'2" (3099)	12'2" (3708)	11'11" (3632)	13'11" (4242)
10"/DN250	10'6" (3200)	12'6" (3810)	12'3" (3734)	14'3" (4343)
12"/DN300	10'10" (3302)	12'10" (3912)	12'7" (3835)	14'7" (4445)
14"/DN350	11'4" (3454)	13'4" (4064)	13'1" (3988)	15'1" (4597)
16"/DN400	11'8" (3556)	13'8" (4166)	13'5" (4089)	15'5" (4699)
18"/DN450	12'3" (3734)	14'3" (4343)	14'0" (4267)	16'0" (4877)
20"/DN500	12'7" (3835)	14'8" (4470)	14'4" (4369)	16'5" (5004)
24"/DN600	13'4" (4064)	15'4" (4674)	15'1" (4597)	17'1" (5207)

D DIMENSION - ADJUSTMENT RANGE AND WEIGHT

	ORDER LENGTH					
	A	B	C	D	E	F
Minimum	17 1/4" (438 mm)	36" (914 mm)	57" (1448 mm)	78" (1981 mm)	99" (2515 mm)	120" (3048 mm)
Maximum	39 1/4" (997 mm)	60 1/4" (1530 mm)	81 1/4" (2064 mm)	102 1/4" (2597 mm)	123 1/4" (3130 mm)	144 1/4" (3664 mm)
Weight	140 lbs (63 kg)	166 lbs (75 kg)	195 lbs (88 kg)	224 lbs (102 kg)	253 lbs (115 kg)	282 lbs (128 kg)

For more information about us or to view our full line of products, please visit www.mueller-international.com or call International Customer Service at:

UK: +44.1438.487410 Dubai: +971.4.214.6640 Singapore: +65.6816.3088 USA: +1.800.423.1323 | international@muellerwp.com

Mueller refers to one or more of Mueller Water Products, Inc. a Delaware corporation ("MWP"), and its subsidiaries. MWP and each of its subsidiaries are legally separate and independent entities when providing products and services. MWP does not provide products or services to third parties. MWP and each of its subsidiaries are liable only for their own acts and omissions and not those of each other. MWP brands include Mueller®, Echologics®, Hydro Gate®, Hydro-Guard®, Jones®, Krausz®, MiNet®, Milliken®, Pratt®, Pratt Industrial®, Singer®, and U.S. Pipe Valve & Hydrant. Please see muellerwp.com/brands to learn more.

© 2021 Mueller Water Products, Inc. All Rights Reserved. The trademarks, logos and service marks displayed in this document are the property of Mueller Water Products, Inc., its affiliates or other third parties. Products above marked with a section symbol (§) are subject to patents or patent applications. For details visit www.mwppat.com.

F 12807 6/21

