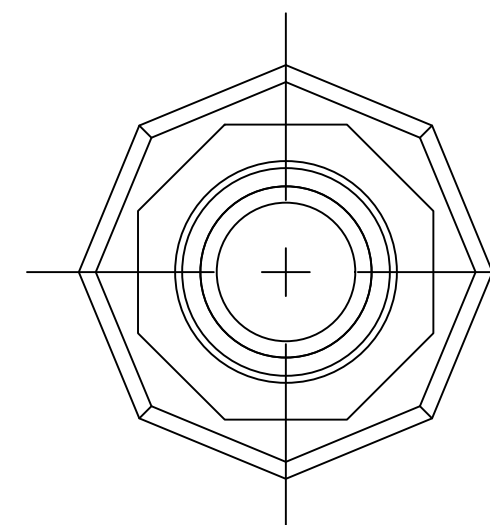
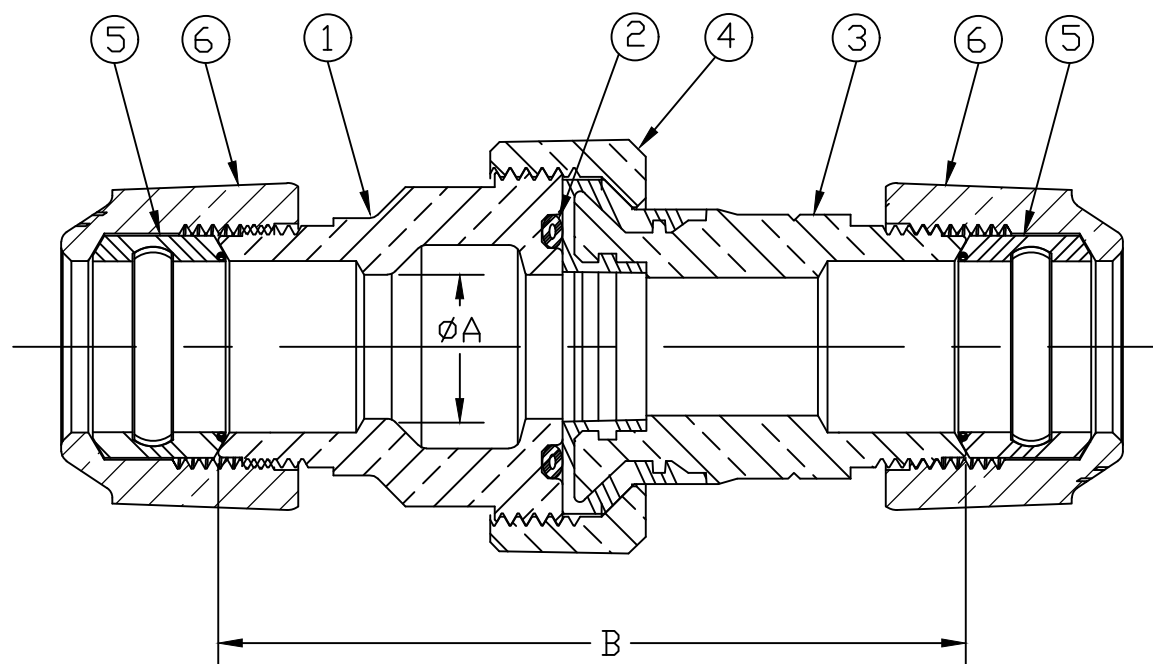


No.	DESCRIPTION	REQ'D	MATERIAL	ASTM	ALLOY OR TYPE
1	SPUD	1	LEAD FREE BRASS ALLOY ASTM B584		
2	O-RING	1	RUBBER	D-2000	NITRILE
3	INS. TAILPC ASS'Y	1	LOW LEAD BRASS ALLOY W/ NYLON		
4	COUP. NUT	1	BRASS	B584	LEAD FREE ALLOY
5	CTS GSKT ASSY	1	RUBBER	D-2000	SBR
6	CONN NUT	1	BRASS	B584	LEAD FREE ALLOY

SIZE	ØA	B
3/4"	.750	3.893
1"	1.000	4.222



MEETS ALL REQUIREMENTS OF AWWA C800  
 ALL WETTED PARTS ARE LEAD FREE BRASS ALLOY C89833/C87850  
 ALL NON WETTED PARTS ARE BRASS ALLOY C83600/C87850

DRFTR	AD	03/03/23	<b>MUELLER</b>	
CHKR				
ENGR			UNLESS OTHERWISE NOTED	THIRD ANGLE PROJECTION
MGR				SURFACE PREPARATION: BREAK CORNER(S) ----- .000
	BY	DATE	SURFACE FINISH -- 000 RMS	FULL
			TOLERANCE(S): LINEAR ----- ± .000	
			ANGULAR ----- ± 0°00'	
STK No:			MAT'L:	
DESCR.	SERVICE FITTING ASS'Y 110 "CTS" x INSULATED UNION			DWG NUMBER N35403N

DWG NUMBER  
N35403N

TITLE TO AND OWNERSHIP OF THIS ENGINEERING DATA REMAINS IN Mueller Co. NO USE IS TO BE MADE OF THIS DATA EXCEPT AS SPECIFICALLY AUTHORIZED BY Mueller Co. ASSENT ON THE PART OF THE RECIPIENT TO THESE CONDITIONS IS PRESUMED