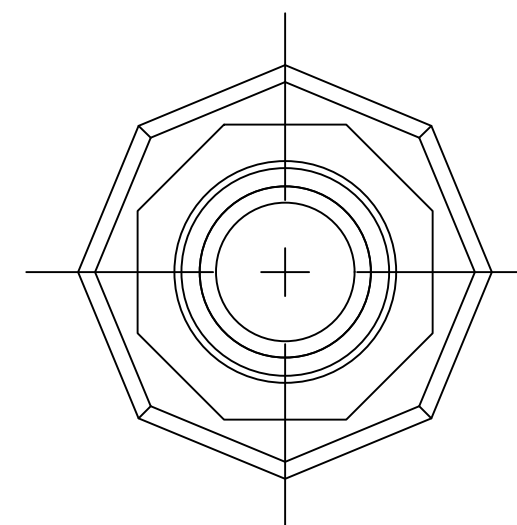
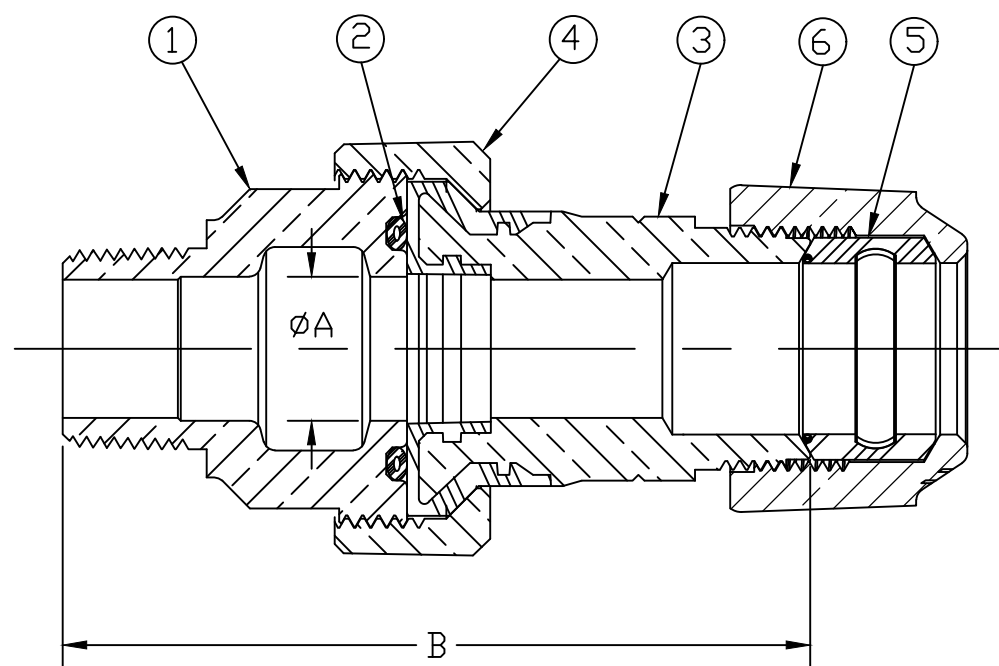


No.	DESCRIPTION	MATERIAL
1	SPUD	LEAD FREE BRASS ALLOY ASTM B584
2	O-RING	RUBBER D-2000 NITRILE
3	INS. TAILPC ASS'Y	LEAD FREE BRASS ALLOY W/ NYLON
4	COUP. NUT	CAST BRASS ALLOY ASTM B584
5	CTS GSKT ASSY	RUBBER D-2000 SBR
6	CONN NUT	CAST BRASS ALLOY ASTM B584

SIZE	ØA	B
3/4"	.750	3.893
1"	1.000	4.222



MEETS ALL REQUIREMENTS OF AWWA C800  
 ALL WETTED PARTS ARE LEAD FREE BRASS ALLOY C89833/C87850  
 ALL NON WETTED PARTS ARE BRASS ALLOY C83600/C87850

DWG NUMBER  
N35428N

TITLE TO AND OWNERSHIP OF THIS ENGINEERING  
 DATA REMAINS IN Mueller Co. NO USE IS TO BE  
 MADE OF THIS DATA EXCEPT AS SPECIFICALLY  
 AUTHORIZED BY Mueller Co. ASSENT ON THE PART  
 OF THE RECIPIENT TO THESE CONDITIONS IS PRESUMED

DRFTR	AD	03/03/23	<b>MUELLER</b>	
CHKR				
ENGR			UNLESS OTHERWISE NOTED	THIRD ANGLE PROJECTION
MGR				SURFACE PREPARATION: BREAK CORNER(S) ----- .000
	BY	DATE	SURFACE FINISH -- 000 RMS	FULL
			TOLERANCE(S): LINEAR ----- ± .000	
			ANGULAR ----- ± 0°00'	
STK No:			DESCR. SERVICE FITTING ASS'Y MIP x INSULATED UNION	
MAT'L:			DWG NUMBER N35428N	